



PARTS CATALOGUE

WR250FS '04 (5UM7) SOUTH AFRICA

WR250FS/WR250F



A4

FOREWORD

This Parts Catalogue is related to the parts for the model(s) on the cover page. When you are ordering replacement parts, please refer to this Parts Catalogue and quote both part numbers and part names correctly.

1. Modifications or additions which have been made after the issue of the Parts Catalogue will be announced in the Parts News.

It is advisable that you make the necessary corrections to the Parts Catalogue according to the Parts News.

2. Abbreviations

The following abbreviations are used in this Parts Catalogue.

“UR” Use specified parts number.

“UN” Use as many as needed.

“AP” Alternate Parts

“LM” Locally Made (Parts need to be ordered locally)

“F#” Frame No. (Applicable machine No.)

“O/S” Over Size

3. The number of components for assembly

- Parts, which are to be supplied in an assembly, are listed with a dot (.) in front of the part name as shown below.
- The numeral appearing to the right of each component part indicates the quantity of parts for each assembly unit.

PART NO.	DESCRIPTION	Q'TY	REMARKS
2F5-83310-60	FRONT FLASHER LIGHT ASSY	2	
115-83311-60	.BULB (6V-18W)	1	

4. Applicable colours of graphics are represented in the “REMARKS” as shown below.

PART NO.	DESCRIPTION	Q'TY	REMARKS
2N4-24110-00-X5	FUEL TANK COMP.	2	MXR
3J1-24240-10	.GRAPHIC, FUEL TANK	1	FOR MXR

5. Note that the illustrations for reference in finding parts numbers are not to be used for assembling. When assembling, please use the applicable service manual.

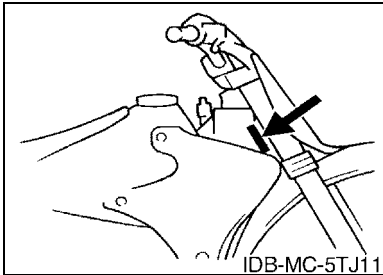
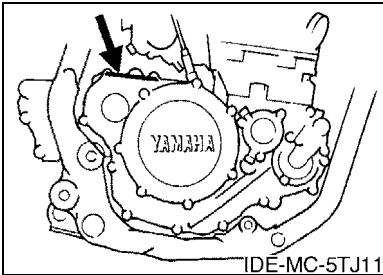
6. The asterisk (*) before a reference number indicates modified items after the first edition.

FOREWORD

7. Applicable Serial No.

Engine Serial No.

Frame Serial No.



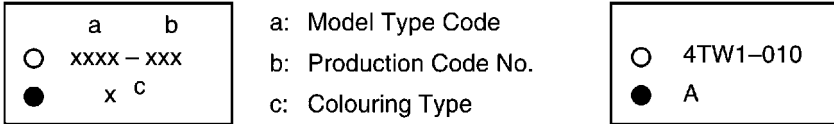
8. Applicable Colour Code (The (*) mark shows Model colour.)

Abbreviation	Colour Name	Colour Code
DPBSE(*)	DEEP PURPLISH BLUE SOLID E	0583

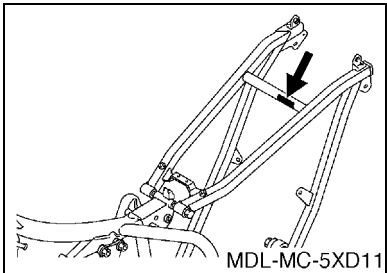
MODEL LABEL

(1) A label called "Model Label" is affixed in the location as indicated in (3) below. When using this parts catalogue, please be sure to cross-reference the "model code – production code No." in the catalogue with the "model code – production code No." indicated on the Model Label affixed onto the product concerned.

(2) "Model Label" Indication



(3) Model Label Affixing Location



(4) Colouring Information

Model Code	Colouring Type Code	Colour Code	Colour Name	Abbreviation
5UM7	A	0583	DEEP PURPLISH BLUE SOLID E	DPBSE

(5) Model Code – Production Code Number of Model Listed in This Parts Catalogue

Model Code	Production Code No.	Country (destination)	Model Code	Production Code No.	Country (destination)
5UM7	010	AUSTRALIA			
		NEW ZEALAND			
	020	CANADA			
	030	SOUTH AFRICA			

CONTENTS

ENGINE

CYLINDER	B2
CRANKSHAFT & PISTON	B4
VALVE	B5
CAMSHAFT & CHAIN	B7
WATER PUMP	B8
RADIATOR & HOSE	B9
OIL PUMP	B10
OIL CLEANER	B11
INTAKE	B12
CARBURETOR	B14
EXHAUST	C5
CRANKCASE	C6
CRANKCASE COVER 1	C7
STARTER	C9
STARTER CLUTCH	C10
CLUTCH	C11
TRANSMISSION	C13
SHIFT CAM & FORK	C15
SHIFT SHAFT	D2

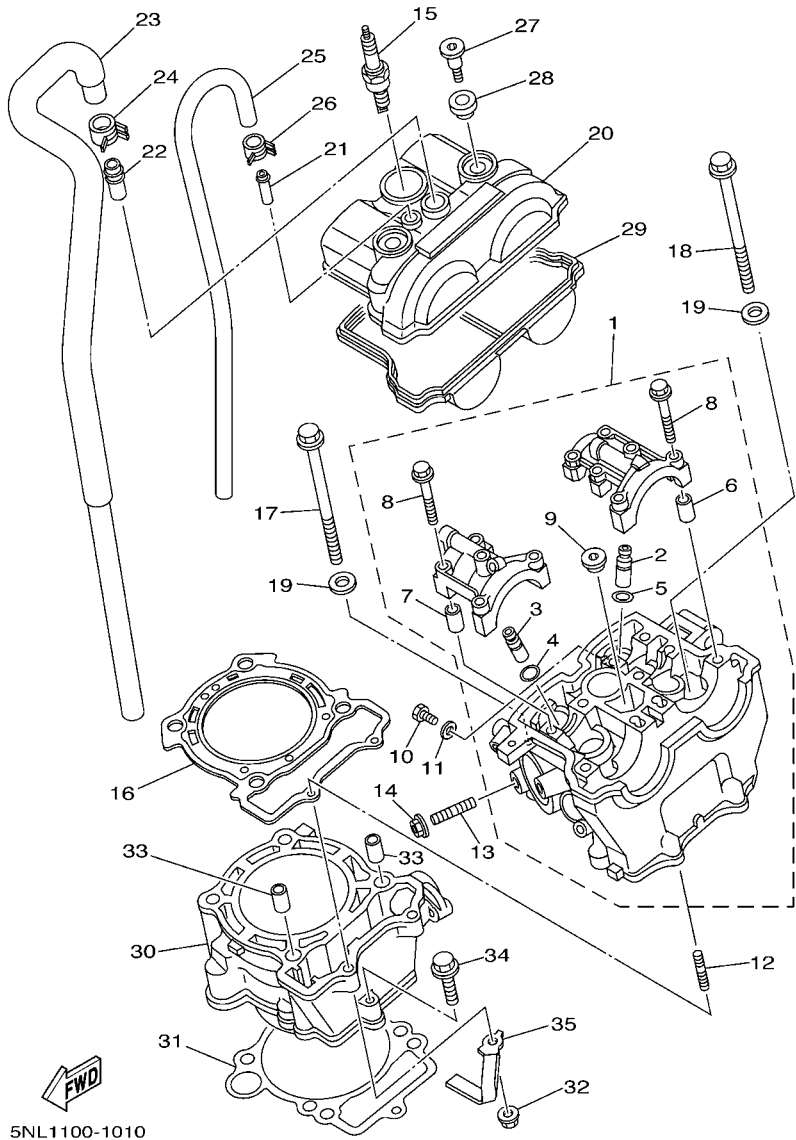
CHASSIS

FRAME	D3
FENDER	D5
SIDE COVER	D6
REAR ARM	D7
REAR SUSPENSION	D9
STEERING	D11
FRONT FORK	D12
FUEL TANK	D15
SEAT	E3
FRONT WHEEL	E4
FRONT BRAKE CALIPER	E5
REAR WHEEL	E6
REAR BRAKE CALIPER	E8
STEERING HANDLE & CABLE	E9
FRONT MASTER CYLINDER	E10
STAND & FOOTREST	E11
REAR MASTER CYLINDER	E13
GENERATOR	E14
STARTING MOTOR	E15
METER	F2

HEADLIGHT	F3
TAILLIGHT	F4
HANDLE SWITCH & LEVER	F5
ELECTRICAL 1	F6
ALTERNATE FOR CHASSIS	F8
ALTERNATE DECOMPRESSION KIT	F10

INDEX

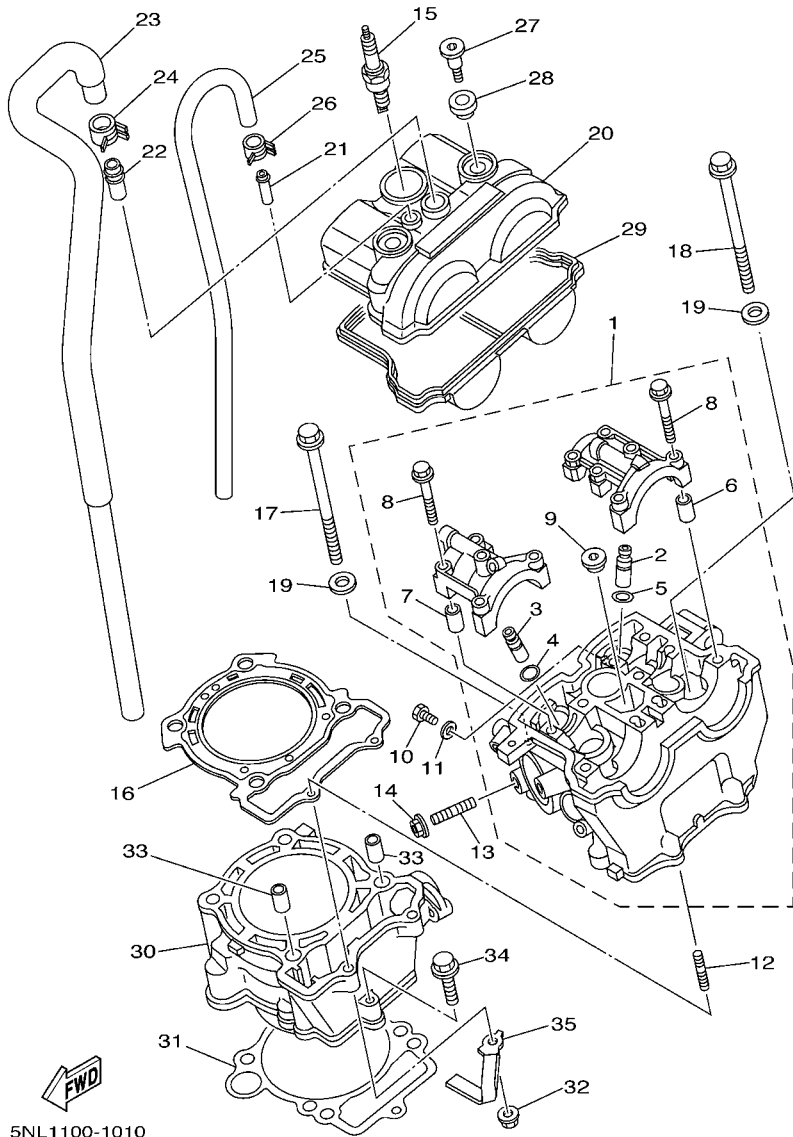
NUMERICAL INDEX	M1
-----------------------	----



5NL1100-1010

FIG. 1 CYLINDER

REF. NO.	PART NO.	DESCRIPTION	SUM5	SUM6	SUM7	REMARKS
1	5NL-11102-20	CYLINDER HEAD ASSY	1	1	1	
2	5NL-11133-10	.GUIDE, VALVE 1	3	3	3	
3	5NL-11134-10	.GUIDE, VALVE 2	2	2	2	
4	93440-10153	.CIRCLIP	2	2	2	
5	93440-07149	.CIRCLIP	3	3	3	
6	91808-16023	.PIN, DOWEL	2	2	2	
7	91808-16023	.PIN, DOWEL	2	2	2	
8	90105-06027	.BOLT, FLANGE	10	10	10	
9	90340-12112	.PLUG, STRAIGHT SCREW	1	1	1	
10	95027-06010	BOLT, FLANGE	1	1	1	
11	90430-06014	GASKET	1	1	1	
12	90116-06541	BOLT, STUD	2	2	2	
13	95617-08620	BOLT, STUD	1	1	1	
14	95707-08500	NUT, FLANGE	1	1	1	
15	NGK-CR8E-PK10	PLUG, SPARK (NGK R CR8E)	1	1	1	STD
	NGK-CR9E-PK10	PLUG, SPARK (NGK R CR9E)	1	1	1	AP
16	5NL-11181-00	GASKET, CYLINDER HEAD 1	1	1	1	
17	90105-09555	BOLT, FLANGE	2	2	2	
18	90105-09002	BOLT, FLANGE	2	2	2	
19	90201-096J9	WASHER, PLATE	4	4	4	
20	5NL-11191-00	COVER, CYLINDER HEAD 1	1	1	1	
21	5BE-11167-00	PIPE, BREATHER 2	1	1	1	
22	371-11167-01	PIPE, BREATHER 2	1	1	1	
23	5TA-11166-00	PIPE, BREATHER 1	1	1	1	
24	90467-14015	CLIP	1	1	1	
25	90445-112K0	HOSE (L285)	1	1	1	
26	90467-11106	CLIP	2	2	2	



5NL1100-1010

FIG. 1 CYLINDER

REF. NO.	PART NO.	DESCRIPTION	SUM5	SUM6	SUM7	REMARKS
27	90109-066F0	BOLT	2	2	2	
28	4KG-1111G-00	RUBBER, MOUNT 1	2	2	2	
29	5NL-11193-00	GASKET, HEAD COVER 1	1	1	1	
30	5XC-11311-00	CYLINDER 1	1	1	1	
31	5NL-11351-00	GASKET, CYLINDER	1	1	1	
32	95704-06500	NUT, FLANGE	2	2	2	
33	93612-16254	PIN, DOWEL	2	2	2	
34	95027-06035	BOLT, FLANGE	1	1	1	
35	5UM-11387-00	CLAMP, HOSE 1	1	1	1	

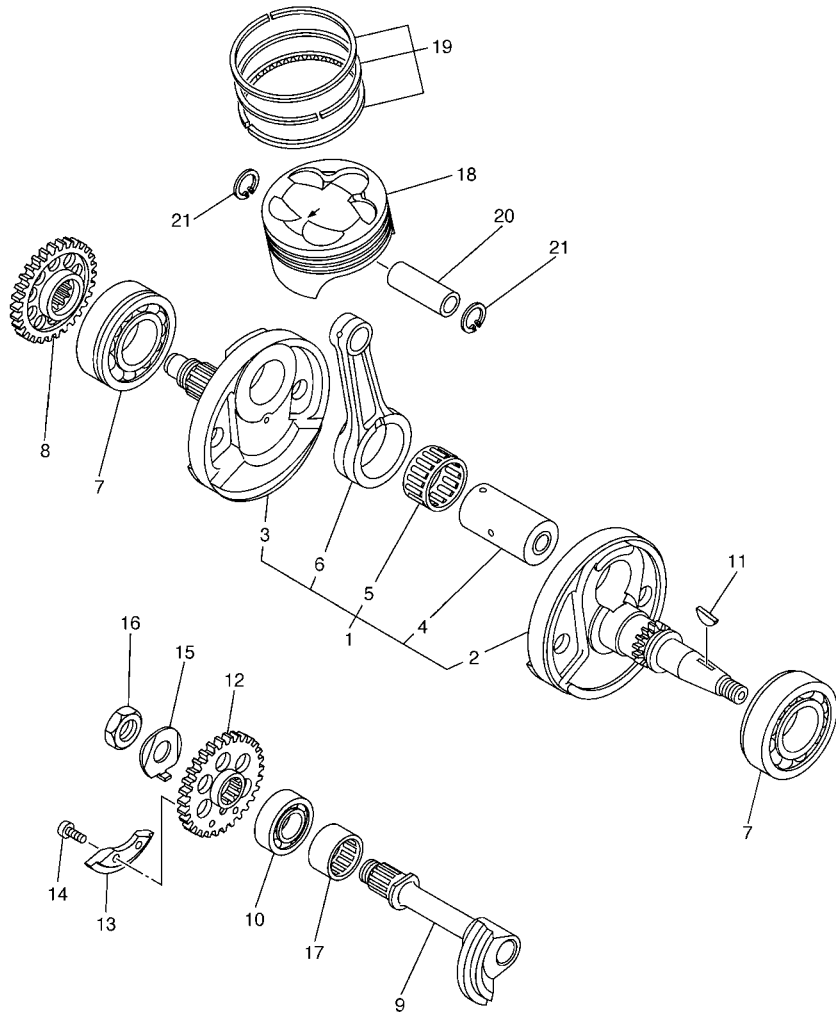
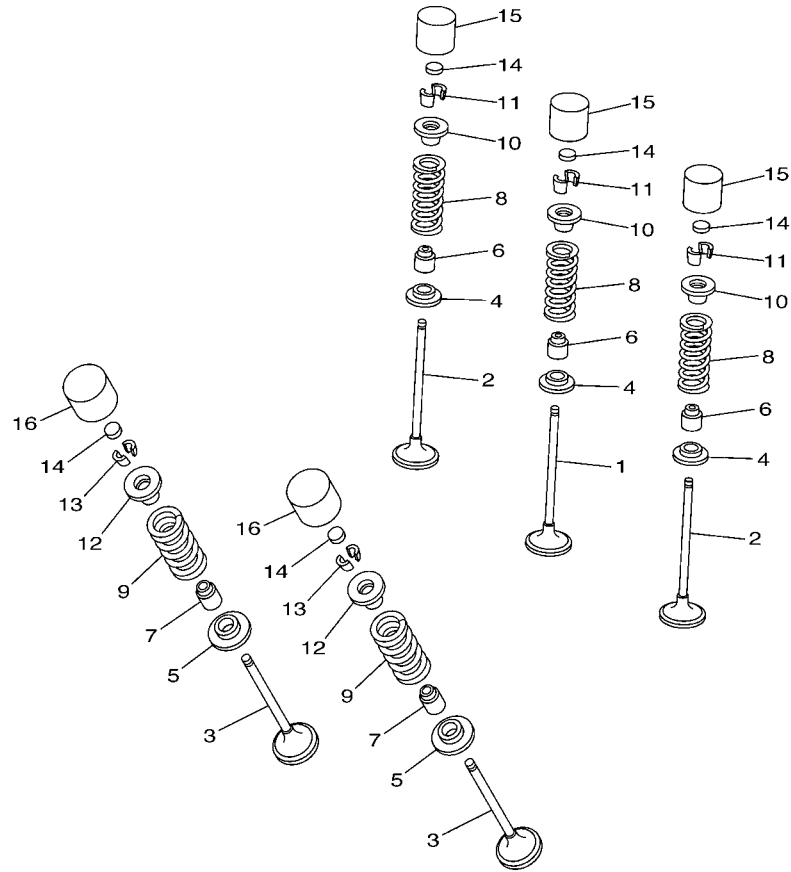


FIG. 2 CRANKSHAFT & PISTON

REF. NO.	PART NO.	DESCRIPTION	5UM5	5UM6	5UM7	REMARKS
1	5UM-11400-10	CRANKSHAFT ASSY	1	1	1	
2	5UM-11412-10	.CRANK 1	1	1	1	
3	5UL-11422-00	.CRANK 2	1	1	1	
4	5XC-11681-00	.PIN, CRANK 1	1	1	1	
5	93310-63238	.BEARING	1	1	1	
6	5UL-11651-00	.ROD, CONNECTING	1	1	1	
7	93306-20648	BEARING	2	2	2	
8	5NL-11536-00	GEAR, DRIVE	1	1	1	
9	5NL-11455-00	SHAFT 1	1	1	1	
10	93306-20335	BEARING	1	1	1	
11	90280-03006	KEY, WOODRUFF	1	1	1	
12	5NL-11531-00	GEAR, BALANCE WEIGHT	1	1	1	
13	5NL-11454-00	WEIGHT 1	1	1	1	
14	90149-06250	SCREW	2	2	2	
15	90215-14204	WASHER, LOCK	1	1	1	
16	90170-14171	NUT	1	1	1	
17	93311-32261	BEARING	1	1	1	
18	5NL-11631-10	PISTON (STD)	1	1	1	
19	5NL-11603-00	PISTON RING SET (STD)	1	1	1	
20	5NL-11633-00	PIN, PISTON	1	1	1	
21	93420-16086	CIRCLIP	2	2	2	



5UM5100-C020

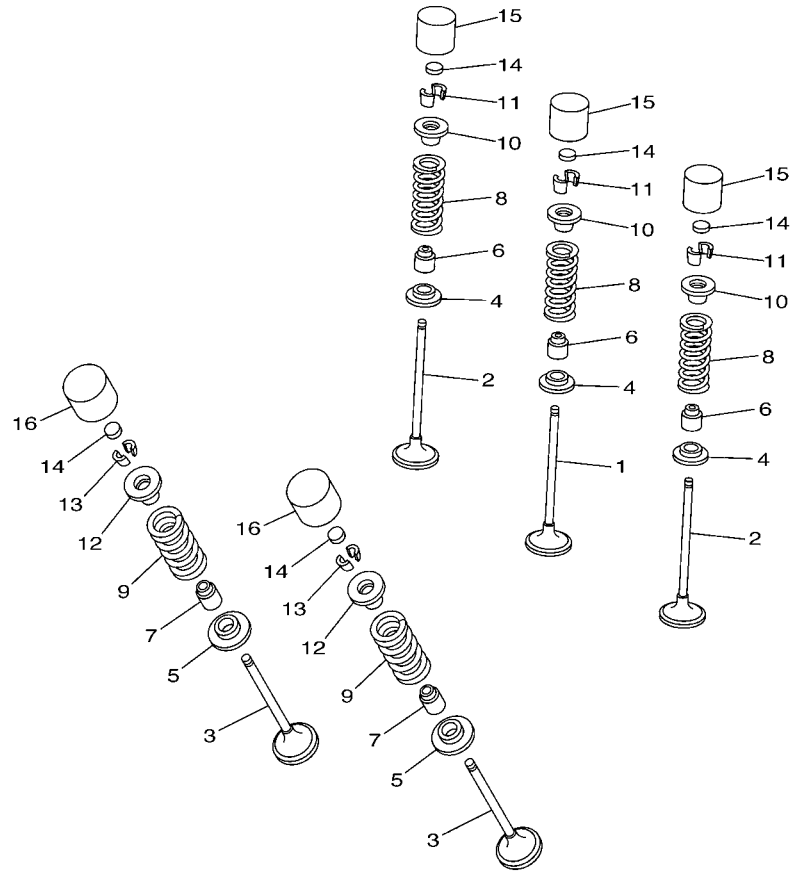


FWD
5NL1100-1030

FIG. 3 VALVE

REF. NO.	PART NO.	DESCRIPTION	SUM5	SUM6	SUM7	REMARKS
1	5NL-12111-10	VALVE, INTAKE	1	1	1	
2	5NL-12112-10	VALVE, INTAKE 2	2	2	2	
3	5NL-12121-10	VALVE, EXHAUST	2	2	2	
4	5NL-12116-00	SEAT, VALVE SPRING	3	3	3	
5	3GM-12126-00	SEAT, VALVE SPRING 2	2	2	2	
6	4TV-12119-00	SEAL, VALVE STEM	3	3	3	
7	4SV-12119-00	SEAL, VALVE STEM	2	2	2	
8	5NL-12113-00	SPRING, VALVE INNER	3	3	3	
9	5NL-12114-00	SPRING, VALVE OUTER	2	2	2	
10	1HX-12117-00	RETAINER, VALVE SPRING	3	3	3	
11	1HX-12118-00	COTTER, VALVE	6	6	6	
12	1WG-12117-00	RETAINER, VALVE SPRING	2	2	2	
13	1WG-12118-00	COTTER, VALVE	4	4	4	
14	1HX-12168-00	PAD, ADJUSTING 2 (1.20)	5	5	5	UR
	1HX-12168-20	PAD, ADJUSTING 2 (1.25)	5	5	5	UR
	1HX-12168-40	PAD, ADJUSTING 2 (1.30)	5	5	5	UR
	1HX-12168-60	PAD, ADJUSTING 2 (1.35)	5	5	5	UR
	1HX-12168-80	PAD, ADJUSTING 2 (1.40)	5	5	5	UR
	1HX-12168-A0	PAD, ADJUSTING 2 (1.45)	5	5	5	UR
	1HX-12168-F0	PAD, ADJUSTING 2 (1.50)	5	5	5	UR
	1HX-12168-H1	PAD, ADJUSTING 2 (1.55)	5	5	5	UR
	1HX-12168-K1	PAD, ADJUSTING 2 (1.60)	5	5	5	UR
	1HX-12168-M1	PAD, ADJUSTING 2 (1.65)	5	5	5	UR
	1HX-12168-R1	PAD, ADJUSTING 2 (1.70)	5	5	5	UR
	1HX-12168-U1	PAD, ADJUSTING 2 (1.75)	5	5	5	UR
	1HX-12168-W1	PAD, ADJUSTING 2 (1.80)	5	5	5	UR
	1HX-12168-Y1	PAD, ADJUSTING 2 (1.85)	5	5	5	UR

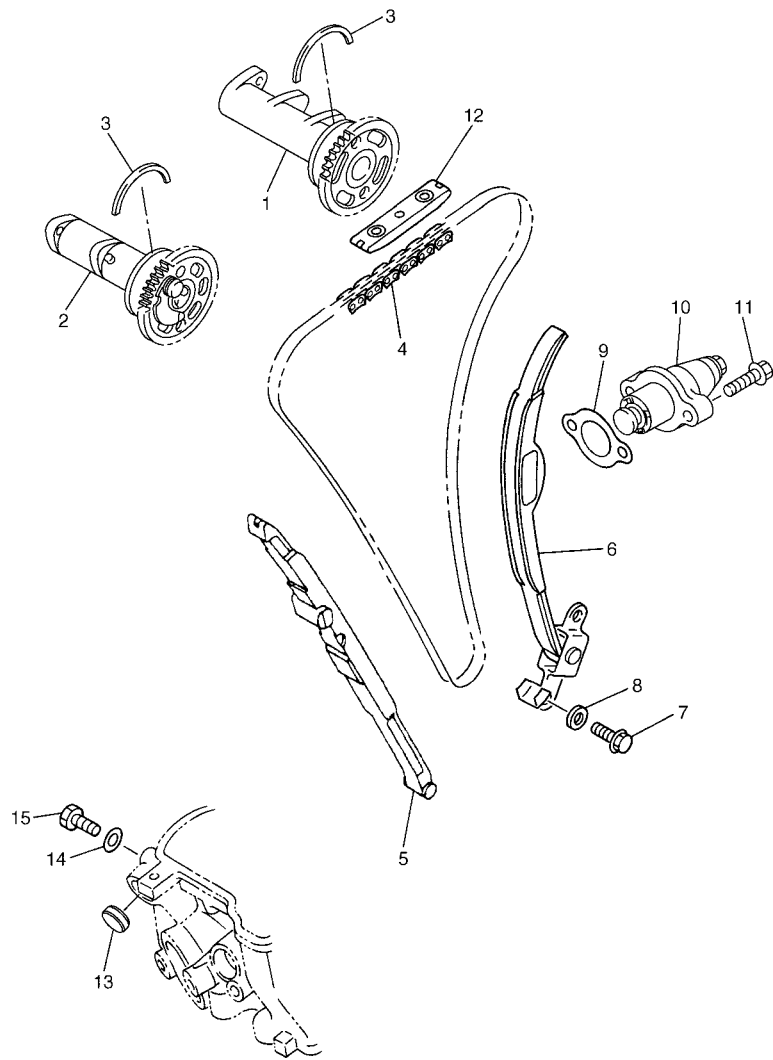
B5



5NL1100-1030

FIG. 3 VALVE

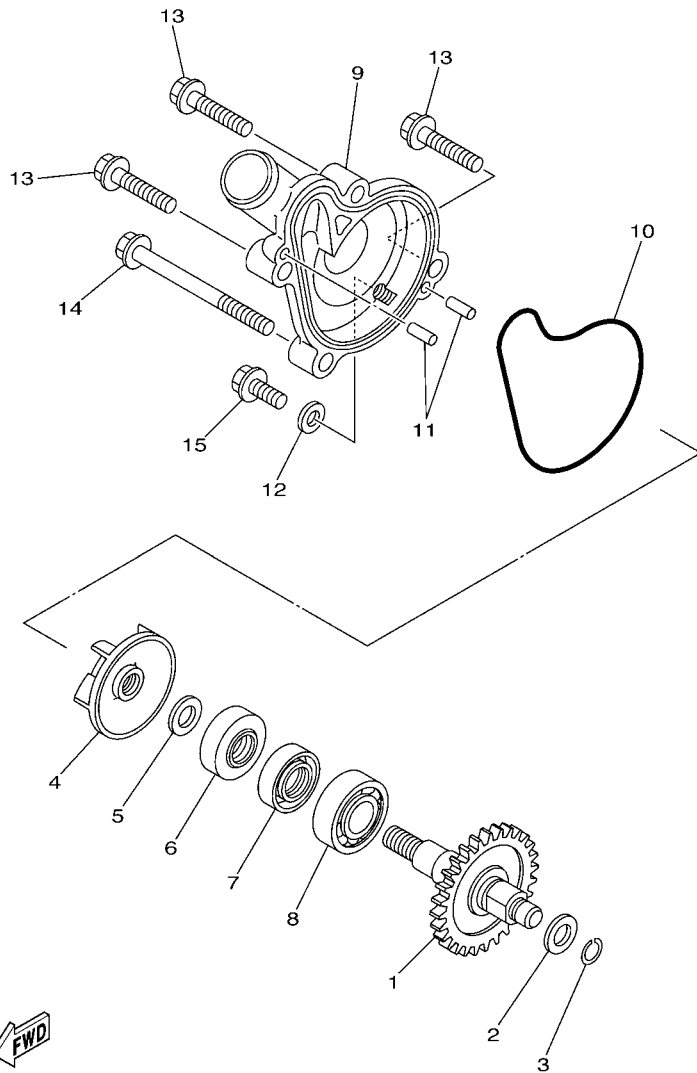
REF. NO.	PART NO.	DESCRIPTION	SUM5	SUM6	SUM7	REMARKS
14	1HX-12169-11	PAD, ADJUSTING 2 (1.90)	5	5	5	UR
	1HX-12169-31	PAD, ADJUSTING 2 (1.95)	5	5	5	UR
	1HX-12169-50	PAD, ADJUSTING 2 (2.00)	5	5	5	UR
	1HX-12169-70	PAD, ADJUSTING 2 (2.05)	5	5	5	UR
	1HX-12169-90	PAD, ADJUSTING 2 (2.10)	5	5	5	UR
	1HX-12169-E0	PAD, ADJUSTING 2 (2.15)	5	5	5	UR
	1HX-12169-G0	PAD, ADJUSTING 2 (2.20)	5	5	5	UR
	1HX-12169-J0	PAD, ADJUSTING 2 (2.25)	5	5	5	UR
	1HX-12169-L0	PAD, ADJUSTING 2 (2.30)	5	5	5	UR
	1HX-12169-N0	PAD, ADJUSTING 2 (2.35)	5	5	5	UR
	1HX-12169-T0	PAD, ADJUSTING 2 (2.40)	5	5	5	UR
15	3LN-12153-10	LIFTER, VALVE	3	3	3	UR YELLOW
	3LN-12153-09	LIFTER, VALVE (O/S)	3	3	3	UR GREEN
16	3FV-12153-10	LIFTER, VALVE	2	2	2	UR YELLOW
	3FV-12153-09	LIFTER, VALVE (O/S)	2	2	2	UR GREEN



5UL1100-B040

FIG. 4 CAMSHAFT & CHAIN

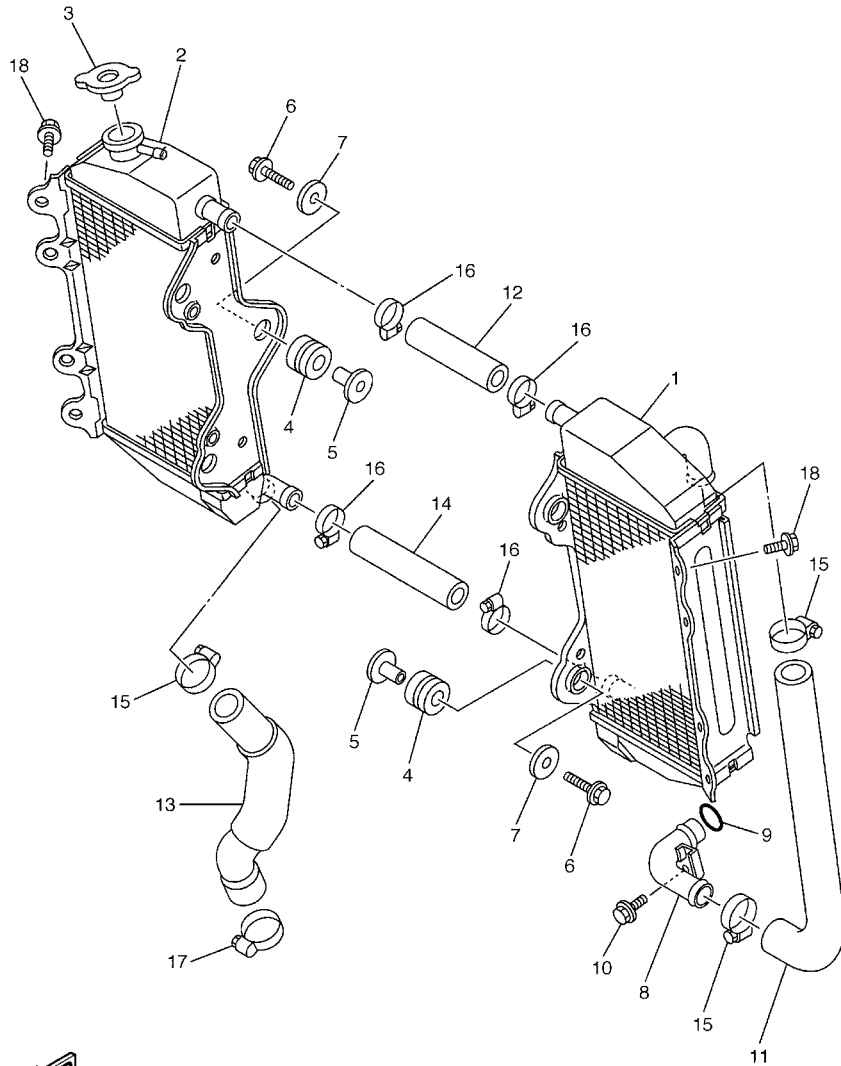
REF. NO.	PART NO.	DESCRIPTION	5UM5	5UM6	5UM7	REMARKS
1	5UM-12170-00	CAMSHAFT ASSY 1	1	1	1	
2	5UM-12180-00	CAMSHAFT ASSY 2	1	1	1	
3	93440-41178	CIRCLIP	2	2	2	
4	94591-53114	CHAIN	1	1	1	
5	5NL-12251-00	DAMPER, CHAIN 1	1	1	1	
6	5NL-12252-00	DAMPER, CHAIN 2	1	1	1	
7	97027-06016	BOLT	2	2	2	
8	92907-06600	WASHER, PLATE	2	2	2	
9	4FM-12213-00	GASKET, TENSIONER CASE	1	1	1	
10	5TA-12210-00	TENSIONER ASSY, CAM CHAIN	1	1	1	
11	95027-06025	BOLT, FLANGE	2	2	2	
12	5BE-12241-00	GUIDE, STOPPER 2	1	1	1	
13	90338-18064	PLUG	1	1	1	
14	90430-06014	GASKET	1	1	1	
15	90109-06418	BOLT	1	1	1	



FWD
5NL1100-1050

FIG. 5 WATER PUMP

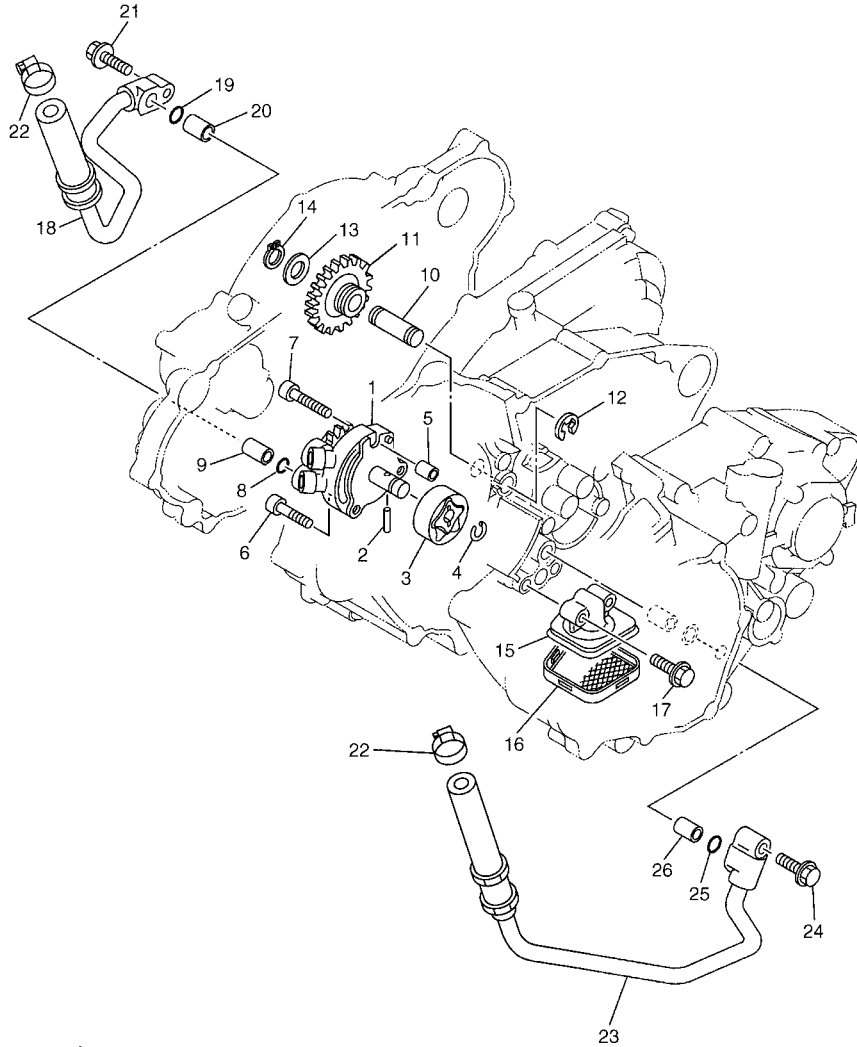
REF. NO.	PART NO.	DESCRIPTION	SUM5	SUM6	SUM7	REMARKS
1	5XC-12459-00	GEAR, IMPELLER SHAFT	1	1	1	
2	90201-08512	WASHER, PLATE	1	1	1	
3	93440-07182	CIRCLIP	1	1	1	
4	5DH-12451-00	IMPELLER, WATER PUMP	1	1	1	
5	90201-08512	WASHER, PLATE	1	1	1	
6	93109-11073	OIL SEAL	1	1	1	
7	93102-12106	OIL SEAL (SD 12-22-5 HS)	1	1	1	
8	93306-00105	BEARING (B6001)	1	1	1	
9	5NL-12422-10	COVER, HOUSING	1	1	1	
10	5NL-12439-00	O-RING	1	1	1	
11	93604-10011	PIN, DOWEL	2	2	2	
12	90430-06014	GASKET	1	1	1	
13	95027-06025	BOLT, FLANGE	3	3	3	
14	95027-06065	BOLT, FLANGE	1	1	1	
15	95027-06012	BOLT, FLANGE	1	1	1	



5UM1100-B060

FIG. 6 RADIATOR & HOSE

REF. NO.	PART NO.	DESCRIPTION	5UM5	5UM6	5UM7	REMARKS
1	5PH-1240A-00	RADIATOR ASSY	1	1	1	
2	5PH-12461-00	RADIATOR ASSY	1	1	1	
3	5HD-12462-00	CAP, RADIATOR	1	1	1	
4	90480-15528	GROMMET	6	6	6	
5	90387-06065	COLLAR	6	6	6	
6	95027-06025	BOLT, FLANGE	6	6	6	
7	90201-06571	WASHER, PLATE	6	6	6	
8	5NL-12481-00	PIPE 1	1	1	1	
9	93210-15414	O-RING	1	1	1	
10	91317-06012	BOLT	1	1	1	
11	5SG-12576-00	HOSE 1	1	1	1	
12	5SG-12577-00	HOSE 2	1	1	1	
13	5SG-12578-00	HOSE 3	1	1	1	
14	5SG-12579-00	HOSE 4	1	1	1	
15	90450-25037	HOSE CLAMP ASSY	3	3	3	
16	90450-22017	HOSE CLAMP ASSY	4	4	4	
17	90450-32015	HOSE CLAMP ASSY	1	1	1	
18	95827-06010	BOLT, FLANGE	2	2	2	

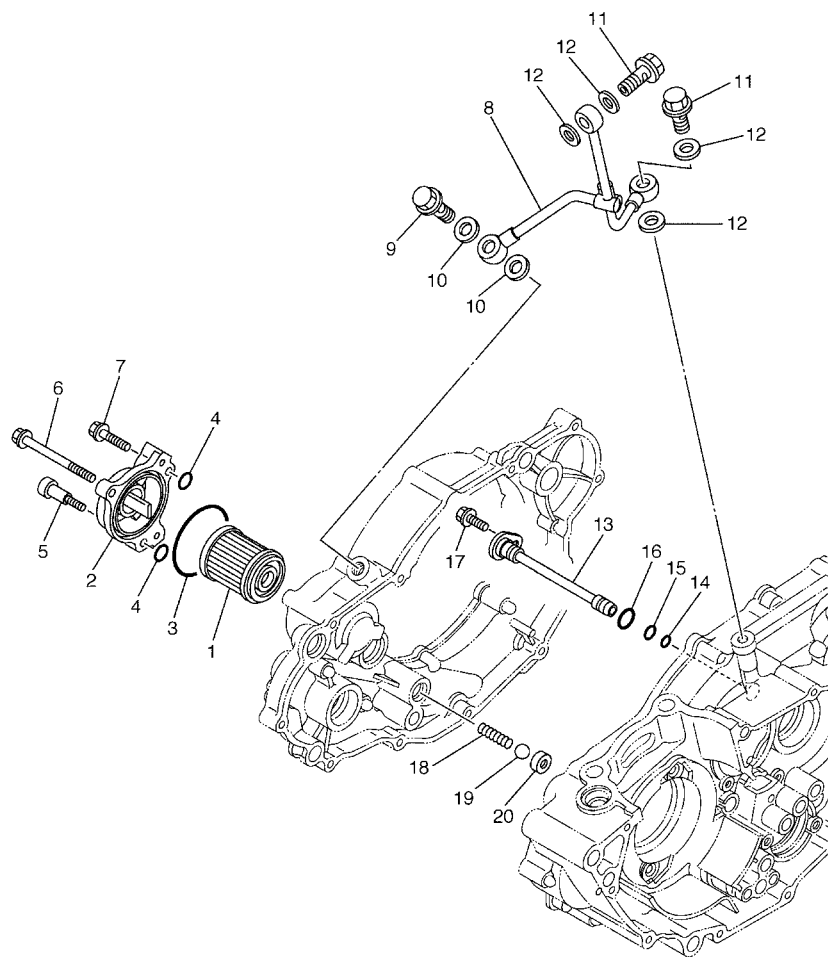


5UL1100-B070

FIG. 7 OIL PUMP

REF. NO.	PART NO.	DESCRIPTION	5UM5	5UM6	5UM7	REMARKS
1	5SG-13300-00	OIL PUMP ASSY	1	1	1	
2	93603-16219	PIN, DOWEL	1	1	1	
3	5NL-13320-00	ROTOR ASSY 2	1	1	1	
4	93440-10153	CIRCLIP	1	1	1	
5	99530-08012	PIN, DOWEL	1	1	1	
6	90110-06058	BOLT, HEXAGON SOCKET HEAD	2	2	2	
7	91314-06030	BOLT	1	1	1	
8	93210-10197	O-RING	1	1	1	
9	99530-10114	PIN, DOWEL	1	1	1	
10	5BE-13342-00	SHAFT, IDLE GEAR	1	1	1	
11	5NL-13341-00	GEAR, OIL PUMP IDLE	1	1	1	
12	99001-08600	CIRCLIP	1	1	1	
13	90201-12166	WASHER, PLATE	1	1	1	
14	99009-12400	CIRCLIP	1	1	1	
15	5NL-13412-00	HOUSING, STRAINER	1	1	1	
16	5NL-13411-00	STRAINER, OIL	1	1	1	
17	95027-06025	BOLT, FLANGE	2	2	2	
18	5XC-13464-00	HOSE, OIL 1	1	1	1	
19	93210-10197	O-RING	1	1	1	
20	99530-10114	PIN, DOWEL	1	1	1	
21	95027-06025	BOLT, FLANGE	1	1	1	
22	90450-22017	HOSE CLAMP ASSY	2	2	2	
23	5XC-13465-00	HOSE, OIL 2	1	1	1	
24	95027-06025	BOLT, FLANGE	1	1	1	
25	93210-10197	O-RING	1	1	1	
26	99530-10114	PIN, DOWEL	1	1	1	

FIG. 8 OIL CLEANER



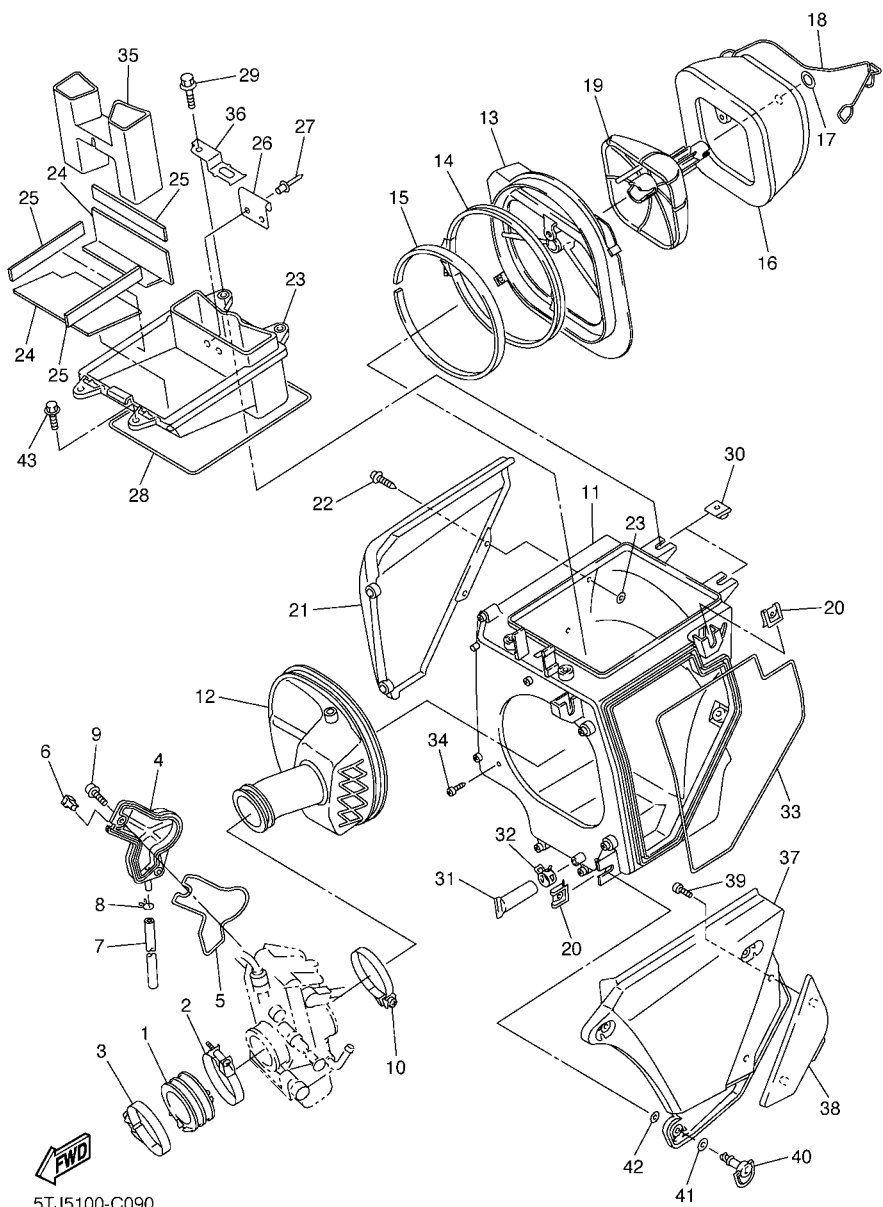
REF. NO.	PART NO.	DESCRIPTION	SUM5	SUM6	SUM7	REMARKS
1	5TA-13440-00	ELEMENT ASSY, OIL CLEANER	1	1	1	
2	5BE-13447-10	COVER, OIL ELEMENT	1	1	1	
3	93210-47675	O-RING	1	1	1	
4	93210-07135	O-RING	3	3	3	
5	90109-065G2	BOLT	1	1	1	
6	95027-06065	BOLT, FLANGE	1	1	1	
7	95027-06025	BOLT, FLANGE	1	1	1	
8	5NL-13161-00	PIPE, DELIVERY 1	1	1	1	
9	90401-10159	BOLT, UNION	1	1	1	
10	90430-10188	GASKET	2	2	2	
11	90401-08038	BOLT, UNION	2	2	2	
12	90430-08119	GASKET	4	4	4	
13	5NL-13171-00	PIPE, DELIVERY 2	1	1	1	
14	93210-07003	O-RING	1	1	1	
15	93210-09008	O-RING	1	1	1	
16	93210-12759	O-RING	1	1	1	
17	95027-06012	BOLT, FLANGE	1	1	1	
18	90501-043E0	SPRING, COMPRESSION	1	1	1	
19	93503-08007	BALL	1	1	1	
20	583-13113-00	SEAT, CHECK BALL	1	1	1	



5XC1100-C080

FIG. 9 INTAKE

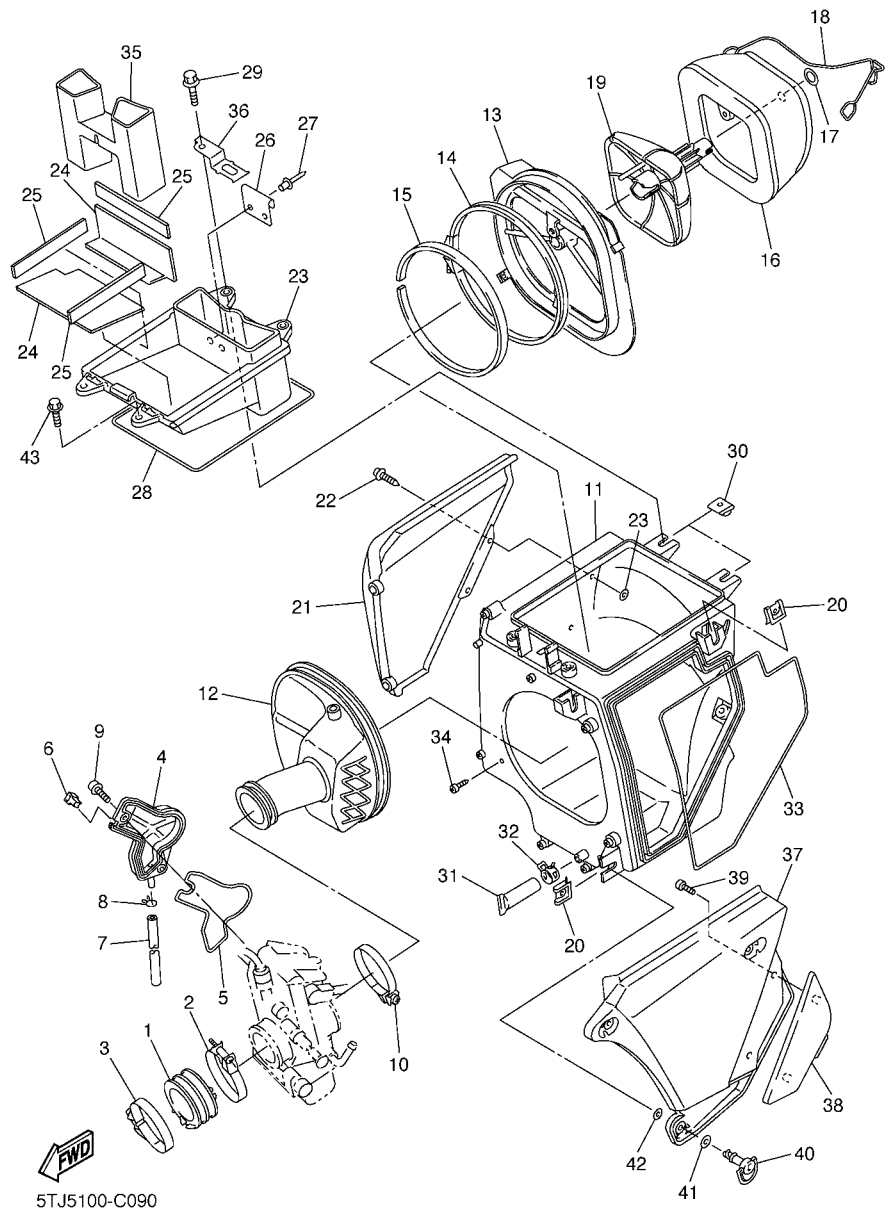
REF. NO.	PART NO.	DESCRIPTION	SUM5	SUM6	SUM7	REMARKS
1	5UL-13597-00	JOINT, CARBURETOR 3	1	1	1	
2	90450-57092	HOSE CLAMP ASSY	1	1	1	
3	90450-54002	HOSE CLAMP ASSY	1	1	1	
4	5TA-14293-00	COVER 1	1	1	1	
5	5TA-14227-00	GASKET	1	1	1	
6	5TA-14239-00	SEAL	1	1	1	
7	5TA-14987-00	HOSE	1	1	1	
8	3TJ-14137-40	CLIP	1	1	1	
9	5TA-14428-00	BOLT	2	2	2	
10	90450-61001	HOSE CLAMP ASSY	1	1	1	
11	5TJ-14401-10	AIR CLEANER CASE ASSY	1	1	1	
12	5TA-14453-00	JOINT, AIR CLEANER 1	1	1	1	
13	5TJ-14459-00	HOLDER, GUIDE	1	1	1	
14	5NY-14455-10	BAND	1	1	1	
15	5NY-14442-00	SPACER	1	1	1	
16	5TJ-14451-00	ELEMENT, AIR CLEANER	1	1	1	
17	5TJ-14475-00	WASHER	1	1	1	
18	5TJ-1441G-00	BINDER 1	1	1	1	
19	5TJ-14458-00	GUIDE	1	1	1	
20	4XV-2177L-00	PLATE, SPRING	3	3	3	
21	5TJ-1441E-10	COVER, CLEANER CASE 2	1	1	1	
22	97707-40016	SCREW, TAPPING	2	2	2	
23	5TJ-14437-10	DUCT	1	1	1	
24	5TJ-14425-10	DAMPER 1	2	2	2	
25	5TJ-14426-00	DAMPER 2	3	3	3	
26	5TJ-14436-00	HOOK	1	1	1	
27	90267-32146	RIVET, BLIND	2	2	2	



5TJ5100-C090

FIG. 9 INTAKE

REF. NO.	PART NO.	DESCRIPTION	SUM5	SUM6	SUM7	REMARKS
28	5TJ-14457-00	SEAL	1	1	1	
29	95027-06020	BOLT, FLANGE	2	2	2	
30	90183-06023	NUT, SPRING	2	2	2	
31	5BF-1443E-00	PIPE, DRAIN	1	1	1	
32	90467-17089	CLIP	1	1	1	
33	5TJ-14462-00	SEAL	1	1	1	
34	97707-50516	SCREW, TAPPING	1	1	1	
35	N/A					
36	5TJ-81953-00	STAY, RELAY	1	1	1	
37	5TJ-1441A-00	COVER, CLEANER CASE 1	1	1	1	
38	5TJ-1442A-00	COVER, CLEANER CASE 3	1	1	1	
39	97707-30512	SCREW, TAPPING	2	2	2	
40	3FV-28386-00	HEAD	3	3	3	
41	2TK-21757-00	WASHER, SPECIAL 1	3	3	3	
42	5TJ-21757-00	WASHER, SPECIAL 1	3	3	3	
43	95827-06016	BOLT, FLANGE	2	2	2	



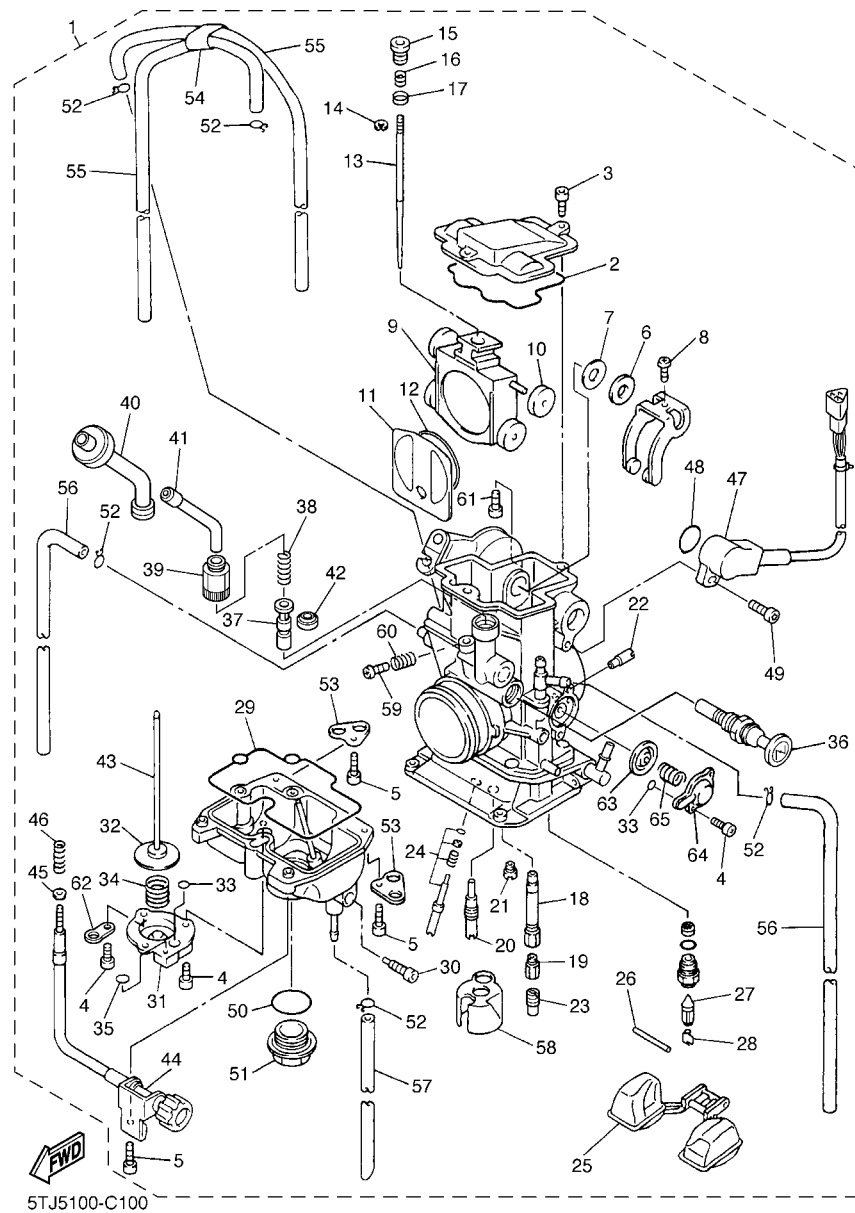
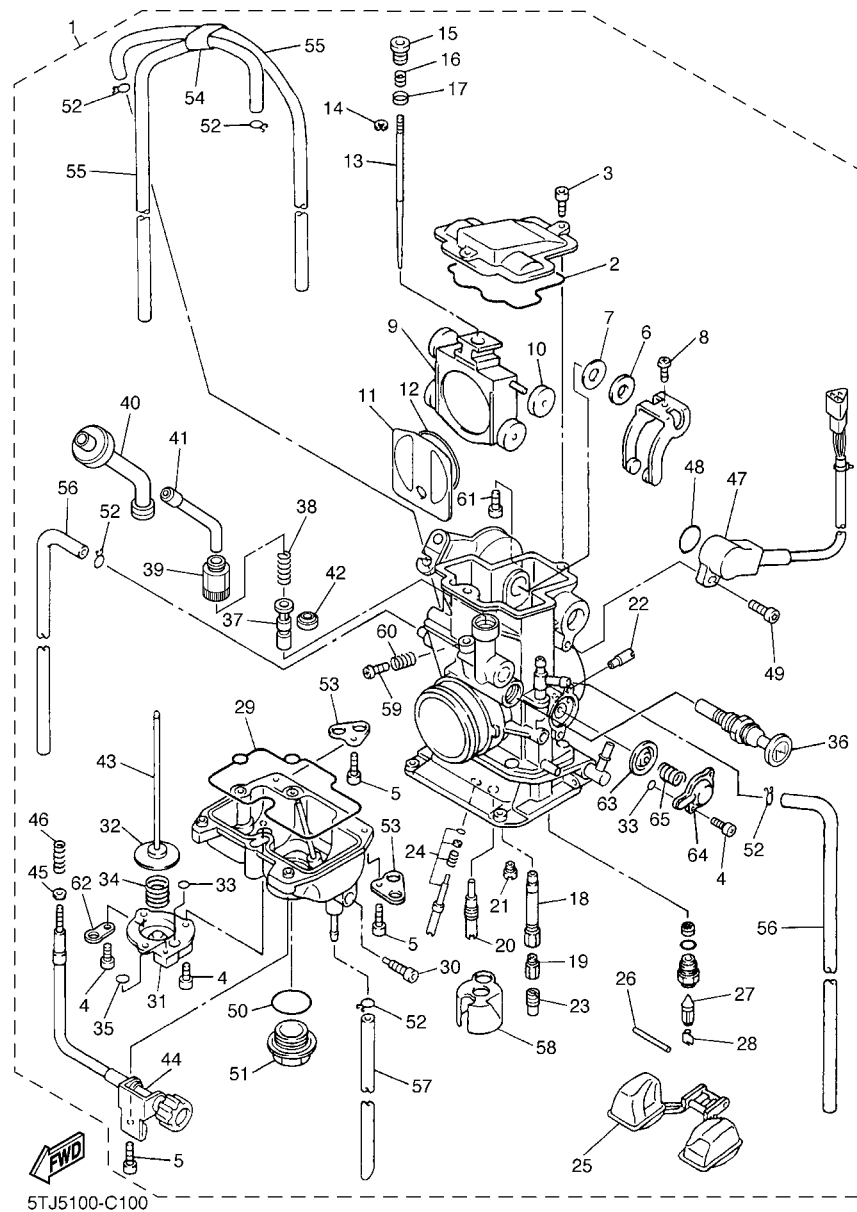


FIG. 10 CARBURETOR

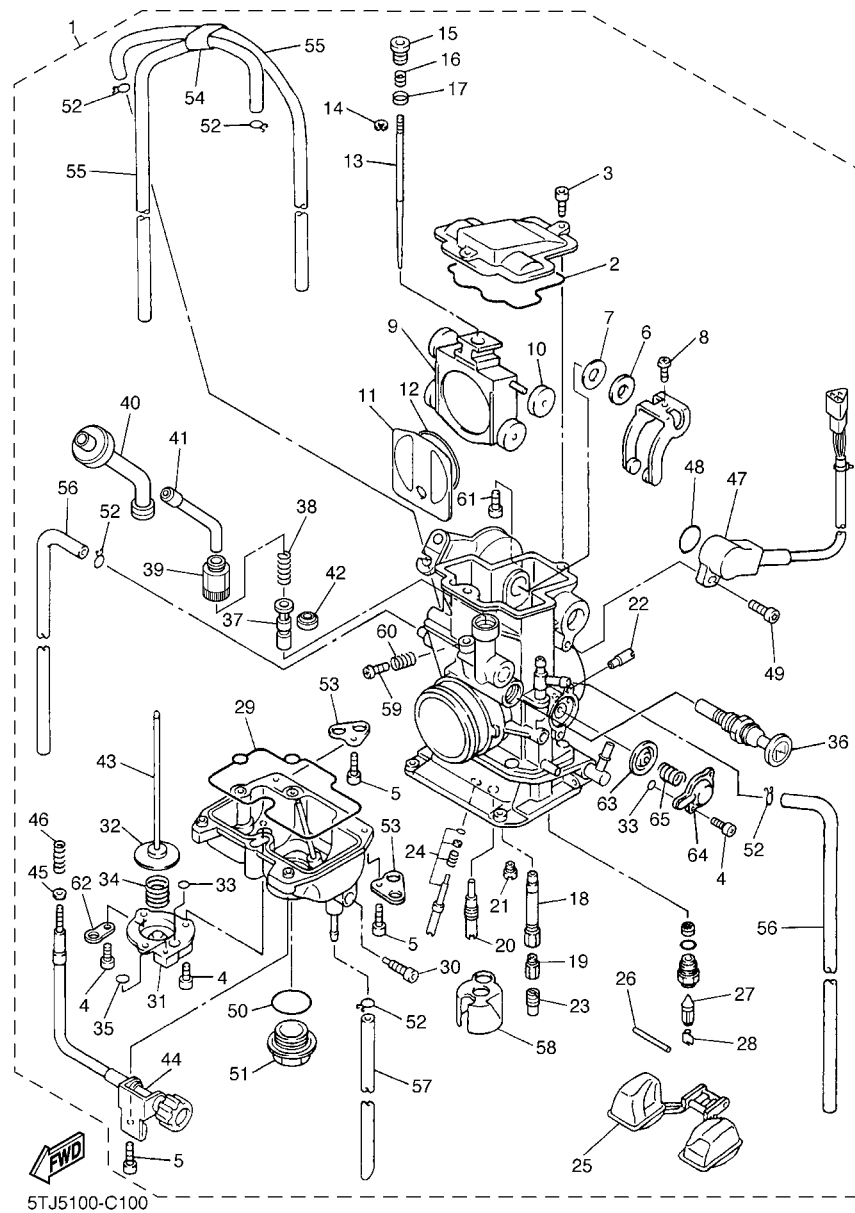
REF. NO.	PART NO.	DESCRIPTION	5UM5	5UM6	5UM7	REMARKS
1	5UM-14101-50	CARBURETOR ASSY 1	1			
	5UM-14101-60	CARBURETOR ASSY 1		1	1	
2	5JG-14959-00	.GASKET	1	1	1	
3	91316-04012	.BOLT	2	2	2	
4	688-14592-00	.SCREW	5	5	5	
5	98502-04012	.SCREW, PAN HEAD	4	4	4	
6	90202-08045	.WASHER, PLATE	1	1	1	
7	5JG-14951-00	.WASHER	1	1	1	
8	5JG-14522-00	.SCREW, ADJUST	1	1	1	
9	5JG-14388-00	.VALVE, VACUUM CONTROL	1	1	1	
10	3TJ-14267-40	.ROLLER	1	1	1	
11	5JG-14546-01	.VALVE, NEEDLE	1	1	1	
12	4FN-14997-00	.SEAL	1	1	1	
13	5JG-14916-E1	.NEEDLE (#OBEKQ)			1	STD
	5JG-14916-EM	.NEEDLE (#OBEKM)		1	1	AP
	5JG-14916-EN	.NEEDLE (#OBEKN)		1	1	AP
	5JG-14916-EP	.NEEDLE (#OBEKP)		1	1	AP
	5JG-14916-ER	.NEEDLE (#OBEKR)		1	1	AP
	5JG-14916-ES	.NEEDLE (#OBEKS)		1	1	AP



5TJ5100-C100

FIG. 10 CARBURETOR

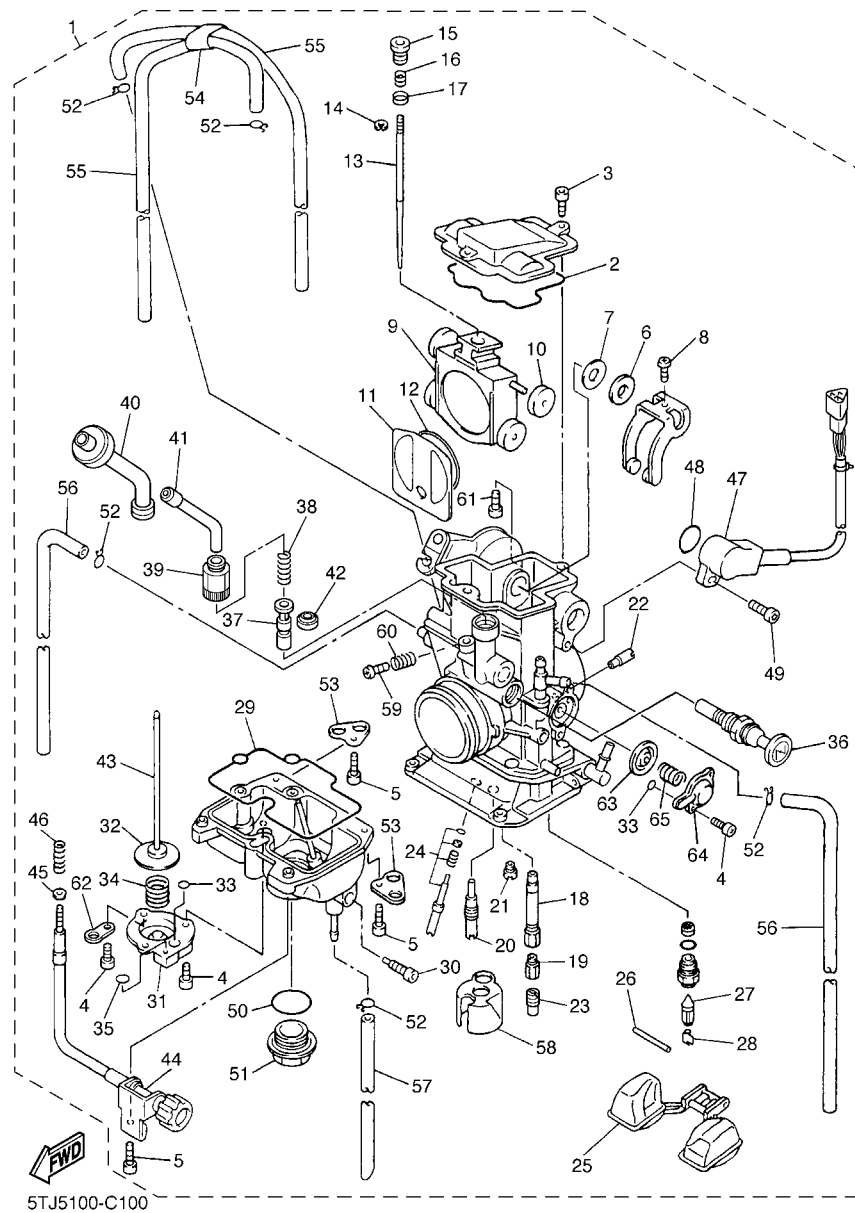
REF. NO.	PART NO.	DESCRIPTION	SUM5	SUM6	SUM7	REMARKS
13	5JG-14916-ET	.NEEDLE (#OBEKT)		1	1	AP
14	3TJ-14159-40	.CLIP	1	1	1	
15	5JG-14521-00	.SCREW, ADJUST	1	1	1	
16	5JG-14275-00	.SPRING	1	1	1	
17	5JG-14264-00	.COLLAR	1	1	1	
18	5JG-14947-00	.NOZZLE, MAIN	1	1	1	
19	4MX-14943-41	.JET, MAIN (#170)			1	STD
	4MX-14943-89	.JET, MAIN (#158)		1	1	AP
	4MX-14943-39	.JET, MAIN (#160)		1	1	AP
	4MX-14943-90	.JET, MAIN (#162)	1	1	1	AP
	4MX-14943-40	.JET, MAIN (#165)	1	1	1	AP
	4MX-14943-91	.JET, MAIN (#168)	1	1	1	AP
	4MX-14943-92	.JET, MAIN (#172)	1	1	1	AP
	4MX-14943-42	.JET, MAIN (#175)		1	1	AP
	4MX-14943-93	.JET, MAIN (#178)	1	1	1	AP
	4MX-14943-43	.JET, MAIN (#180)	1	1	1	AP
	4MX-14943-94	.JET, MAIN (#182)	1	1	1	AP
	4MX-14943-44	.JET, MAIN (#185)	1			AP
	4MX-14943-95	.JET, MAIN (#188)	1			AP
20	4MX-14948-03	.JET, SLOW (#40)	1	1	1	STD
	4MX-14948-01	.JET, SLOW (#35)	1	1	1	AP
	4MX-14948-02	.JET, SLOW (#38)	1	1	1	AP
	4MX-14948-04	.JET, SLOW (#42)	1	1	1	AP
	4MX-14948-05	.JET, SLOW (#45)	1	1	1	AP
	4MX-14948-06	.JET, SLOW (#48)	1	1	1	AP



5TJ5100-C100

FIG. 10 CARBURETOR

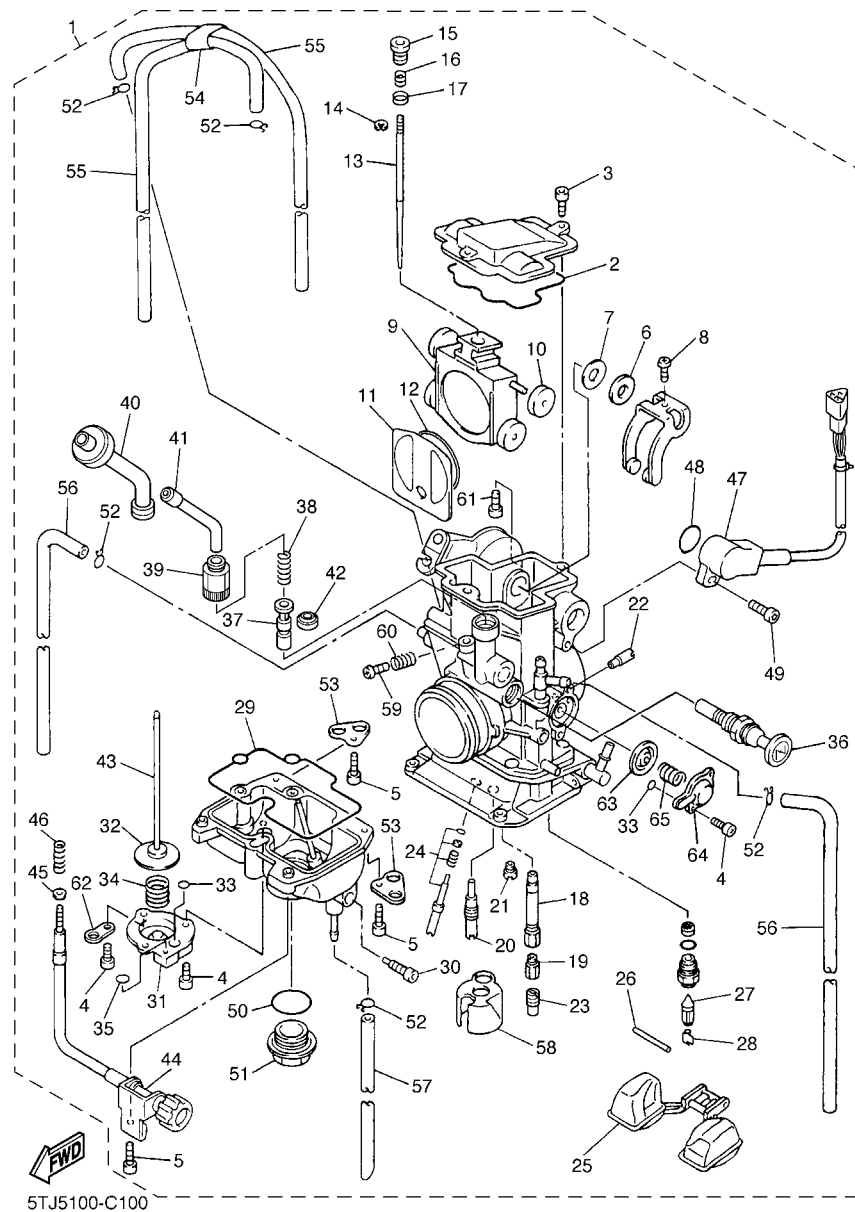
REF. NO.	PART NO.	DESCRIPTION	SUM5	SUM6	SUM7	REMARKS
20	4MX-14948-07	.JET, SLOW (#50)	1	1	1	AP
21	3TJ-1494F-16	.JET (#72)	1	1	1	STD
	3TJ-1494F-12	.JET (#62)	1	1	1	AP
	3TJ-1494F-13	.JET (#65)	1	1	1	AP
	3TJ-1494F-14	.JET (#68)	1	1	1	AP
	3TJ-1494F-15	.JET (#70)	1	1	1	AP
	3TJ-1494F-17	.JET (#75)	1	1	1	AP
	3TJ-1494F-18	.JET (#78)	1	1	1	AP
	3TJ-1494F-19	.JET (#80)	1	1	1	AP
	3TJ-1494F-20	.JET (#82)	1	1	1	AP
22	5TA-14943-11	.JET, MAIN (#60)			1	
23	4JT-1494F-23	.JET (#90)			1	STD
	4JT-1494F-11	.JET (#60)	1	1	1	AP
	4JT-1494F-15	.JET (#70)		1	1	AP
	4JT-1494F-17	.JET (#75)		1	1	AP
	4JT-1494F-19	.JET (#80)	1	1	1	AP
	4JT-1494F-27	.JET(#100)	1	1	1	AP
	4JT-1494F-29	.JET(#110)		1	1	AP
	4JT-1494F-31	.JET(#120)		1	1	AP
24	3TJ-14105-40	.PILOT SCREW SET	1	1	1	
25	4SR-14985-00	.FLOAT	1	1	1	
26	676-14548-00	.PIN, FLOAT ARM	1	1	1	



5TJ5100-C100

FIG. 10 CARBURETOR

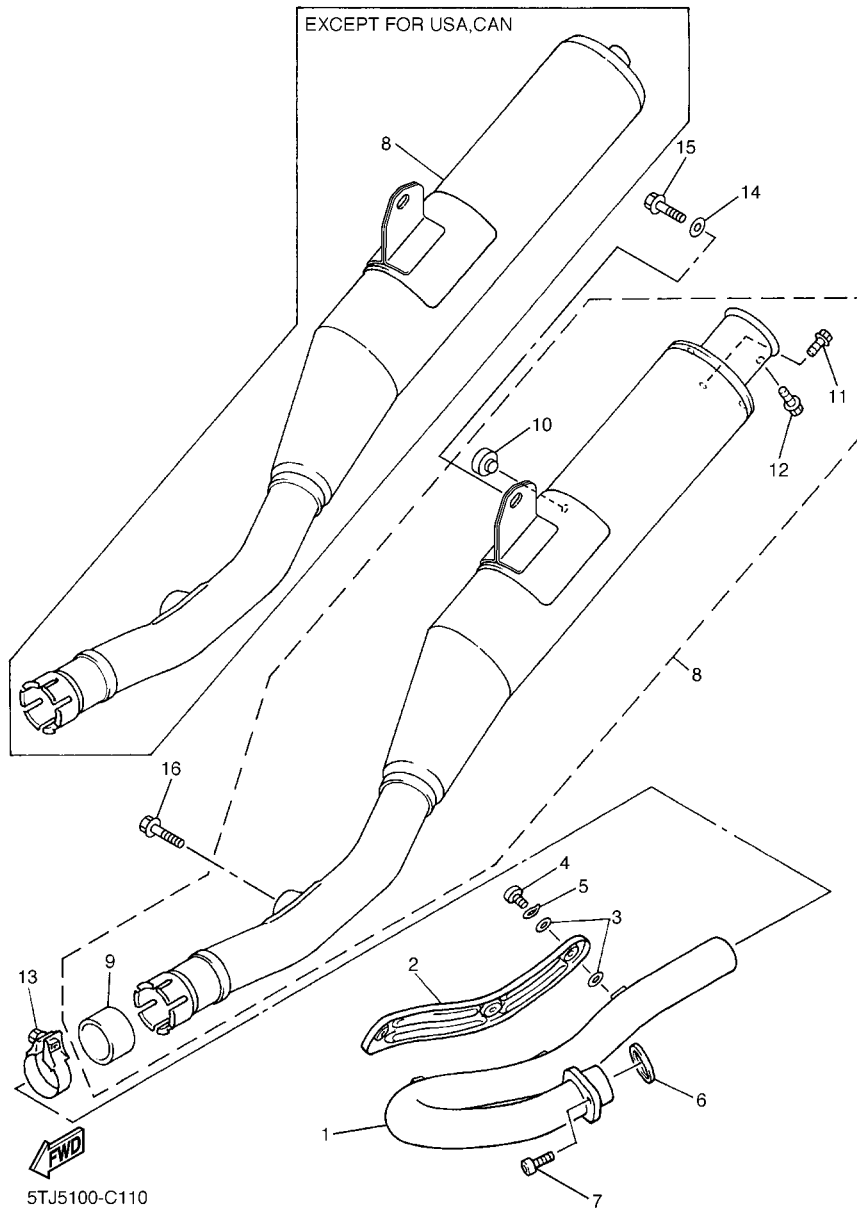
REF. NO.	PART NO.	DESCRIPTION	SUM5	SUM6	SUM7	REMARKS
27	4MX-14392-00	.VALVE, NEEDLE	1	1	1	
28	633-14159-00	.CLIP	1	1	1	
29	5JG-14984-00	.GASKET, FLOAT CHAMBER	1	1	1	
30	3TJ-14191-40	.PLUG, DRAIN	1	1	1	
31	3TJ-14293-40	.COVER 1	1	1	1	
32	5JG-14940-76	.DIAPHRAGM ASSY	1	1	1	STD
	5JG-14940-16	.DIAPHRAGM ASSY	1	1	1	AP
	5JG-14940-17	.DIAPHRAGM ASSY	1	1	1	AP
	5JG-14940-18	.DIAPHRAGM ASSY	1	1	1	AP
33	3TJ-14536-40	.GASKET	2	2	2	
34	3TJ-14933-40	.SPRING, DIAPHRAGM	1	1	1	
35	6H4-14561-00	.O-RING	1	1	1	
36	5TA-14171-00	.PLUNGER, STARTER	1	1	1	
37	5TA-14371-00	.PLUNGER, STARTER	1	1	1	
38	5TA-14335-00	.SPRING, PLUNGER	1	1	1	
39	5TA-14991-00	.SCREW	1	1	1	
40	5TA-14374-00	.CAP, PLUNGER	1	1	1	
41	5TA-14155-00	.GUIDE, CABLE	1	1	1	
42	5TA-14997-00	.SEAL	1	1	1	
43	5JG-14379-00	.ROD, STARTER	1	1	1	
44	5JG-14922-00	.SCREW, THROTTLE	1	1	1	
45	90201-08410	.WASHER, PLATE	1	1	1	
46	5TA-14934-00	.SPRING, THROTTLE STOP	1	1	1	
47	5TA-85885-00	.THROTTLE SENSOR ASSY	1	1	1	
48	5NX-14562-00	.O-RING	1	1	1	
49	5NX-14216-00	.SCREW	1	1	1	
50	4MX-14561-00	.O-RING	1	1	1	



5TJ5100-C100

FIG. 10 CARBURETOR

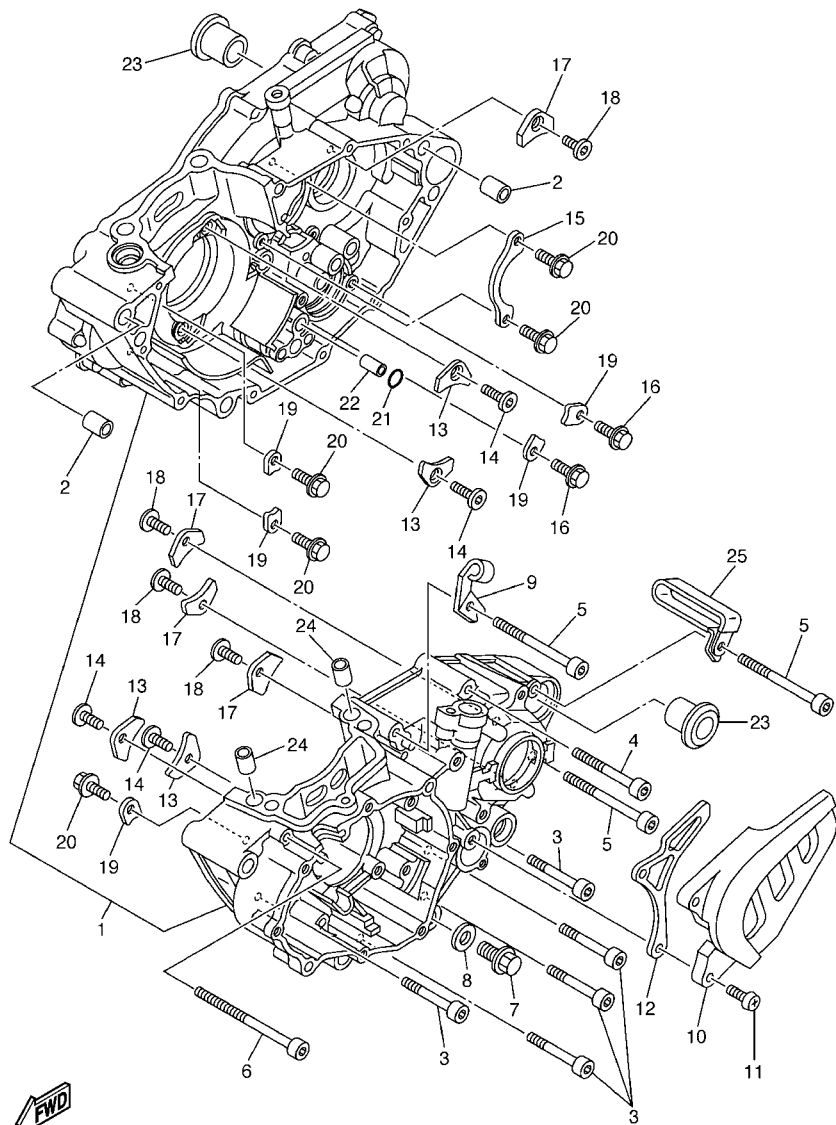
REF. NO.	PART NO.	DESCRIPTION	SUM5	SUM6	SUM7	REMARKS
51	4MX-14115-00	.PLUG, SCREW	1	1	1	
52	3TJ-14137-40	.CLIP	5	5	5	
53	5BE-14146-00	.PLATE	2	2	2	
54	5TA-14261-00	.HOLDER	1	1	1	
55	5UL-14196-00	.PIPE	2	2	2	
56	5TA-14197-00	.PIPE	2	2	2	
57	5TJ-14987-00	.HOSE	1	1	1	
58	5JG-14346-00	.PLATE	1	1	1	
59	5JG-14565-00	.SCREW	1	1	1	
60	5JG-14531-00	.SPRING, ADJUST SCREW	1	1	1	
61	5NL-14591-00	.SCREW			1	
62	5PA-14146-00	.PLATE	1	1	1	
63	5GS-14940-00	.DIAPHRAGM ASSY	1	1	1	
64	5GS-14958-00	.COVER, DIAPHRAGM	1	1	1	
65	5GS-14933-00	.SPRING, DIAPHRAGM	1	1	1	



5TJ5100-C110

FIG. 11 EXHAUST

REF. NO.	PART NO.	DESCRIPTION	SUM5	SUM6	SUM7	REMARKS
1	5XC-14611-00	PIPE, EXHAUST 1	1	1	1	
2	5XC-14628-00	PROTECTOR, EXHAUST PIPE	1	1	1	
3	4BD-14766-00	WASHER, PROTECTOR	6	6	6	
4	98980-06008	SCREW, BIND	3	3	3	
5	90206-06090	WASHER, WAVE	3	3	3	
6	5NL-14613-00	GASKET, EXHAUST PIPE	1	1	1	
7	91317-08020	BOLT	1	1	1	
8	5UM-14710-60	MUFFLER ASSY 1			1	FOR ZAF
9	5PH-14714-00	.GASKET, MUFFLER	1	1	1	
10	22W-24181-00	.DAMPER, LOCATING 1	1	1	1	
11	95804-06010	.BOLT, FLANGE	3		3	FOR CAN
12	95804-06016	.BOLT, FLANGE	1		1	FOR CAN
13	5BE-14788-00	BAND, SILENCER	1	1	1	
14	90201-086P8	WASHER, PLATE	1	1	1	
15	95817-08020	BOLT, FLANGE	1	1	1	
16	90105-08057	BOLT, FLANGE	1	1	1	



5UM5100-C120

FIG. 12 CRANKCASE

REF. NO.	PART NO.	DESCRIPTION	5UM5	5UM6	5UM7	REMARKS
1	5UM-15150-10	CRANKCASE ASSY	1	1	1	
2	93612-16254	PIN, DOWEL	2	2	2	
3	91317-06045	BOLT	5	5	5	
4	91317-06055	BOLT	1	1	1	
5	91317-06070	BOLT	3	3	3	
6	91317-06100	BOLT	1	1	1	
7	95027-10016	BOLT, FLANGE	1	1	1	
8	90430-10188	GASKET	1	1	1	
9	5NL-15441-01	HOLDER, CLUTCH CABLE	1	1	1	
10	5BE-15421-01	COVER, CRANKCASE 2	1	1	1	
11	98507-06025	SCREW, PAN HEAD	2	2	2	
12	5NL-17466-00	GUIDE, CHAIN	1	1	1	
13	5BE-15383-01	PLATE, BEARING COVER	4	4	4	
14	90149-06126	SCREW	4	4	4	
15	5NL-15388-00	PLATE, BEARING COVER	1	1	1	
16	90105-06553	BOLT, FLANGE	2	2	2	
17	4JT-15381-01	PLATE, BEARING COVER	4	4	4	
18	90149-06326	SCREW	4	4	4	
19	5DH-18562-00	PLATE, STOPPER 2	5	5	5	
20	90105-06553	BOLT, FLANGE	5	5	5	
21	93210-10197	O-RING	1	1	1	
22	99530-10114	PIN, DOWEL	1	1	1	
23	90387-18007	COLLAR	2	2	2	
24	99530-10116	PIN, DOWEL	2	2	2	
25	90465-10013	CLAMP	1	1	1	

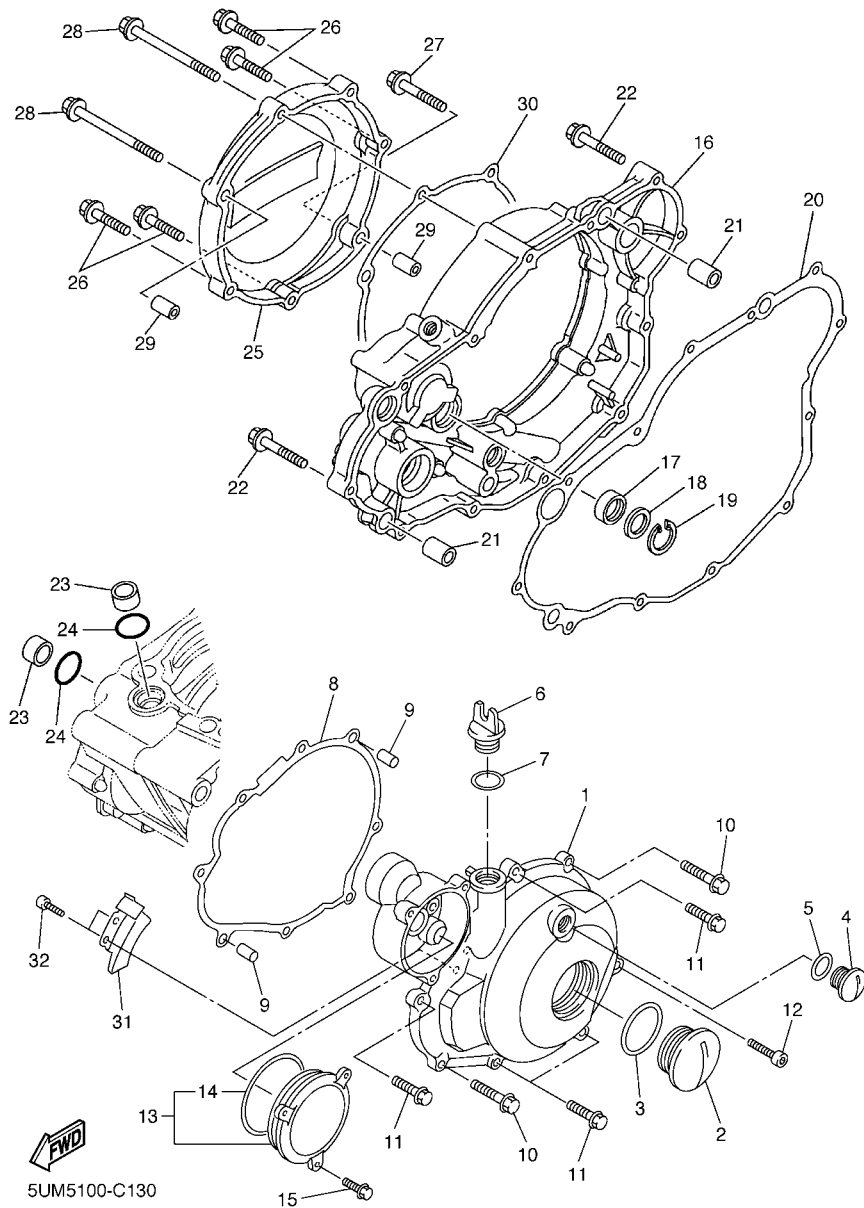


FIG. 13 CRANKCASE COVER 1

REF. NO.	PART NO.	DESCRIPTION	5UM5	5UM6	5UM7	REMARKS
1	5UM-15411-10	COVER, CRANKCASE 1	1	1	1	
2	90340-27002	PLUG, STRAIGHT SCREW	1	1	1	
3	93210-27370	O-RING	1	1	1	
4	90340-14128	PLUG, STRAIGHT SCREW	1	1	1	
5	93210-14369	O-RING	1	1	1	
6	3Y1-15363-00	PLUG, OIL	1	1	1	
7	93210-19123	O-RING	1	1	1	
8	5UM-15451-00	GASKET, CRANKCASE COVER 1	1	1	1	
9	99530-08016	PIN, DOWEL	2	2	2	
10	95027-06040	BOLT, FLANGE	2	2	2	
11	95027-06030	BOLT, FLANGE	4	4	4	
12	91317-06110	BOLT	1	1	1	
13	5UM-1549B-00	COVER ASSY 2	1	1	1	
14	93210-60426	.O-RING	1	1	1	
15	95027-06016	BOLT, FLANGE	3	3	3	
16	5NL-15431-10	COVER, CRANKCASE 3	1	1	1	
17	93101-14164	OIL SEAL	1	1	1	
18	90201-15701	WASHER, PLATE (T=1.0)	1	1	1	
19	99009-22500	CIRCLIP	1	1	1	
20	5NL-15462-00	GASKET, CRANKCASE COVER 3	1	1	1	
21	91812-16001	PIN, DOWEL	2	2	2	
22	95027-06035	BOLT, FLANGE	8	8	8	
23	5NL-12564-00	PIPE, WATER	2	2	2	
24	93210-16716	O-RING	2	2	2	
25	5NL-15415-00	COVER 1	1	1	1	
26	95027-06025	BOLT, FLANGE	4	4	4	
27	95027-06035	BOLT, FLANGE	1	1	1	

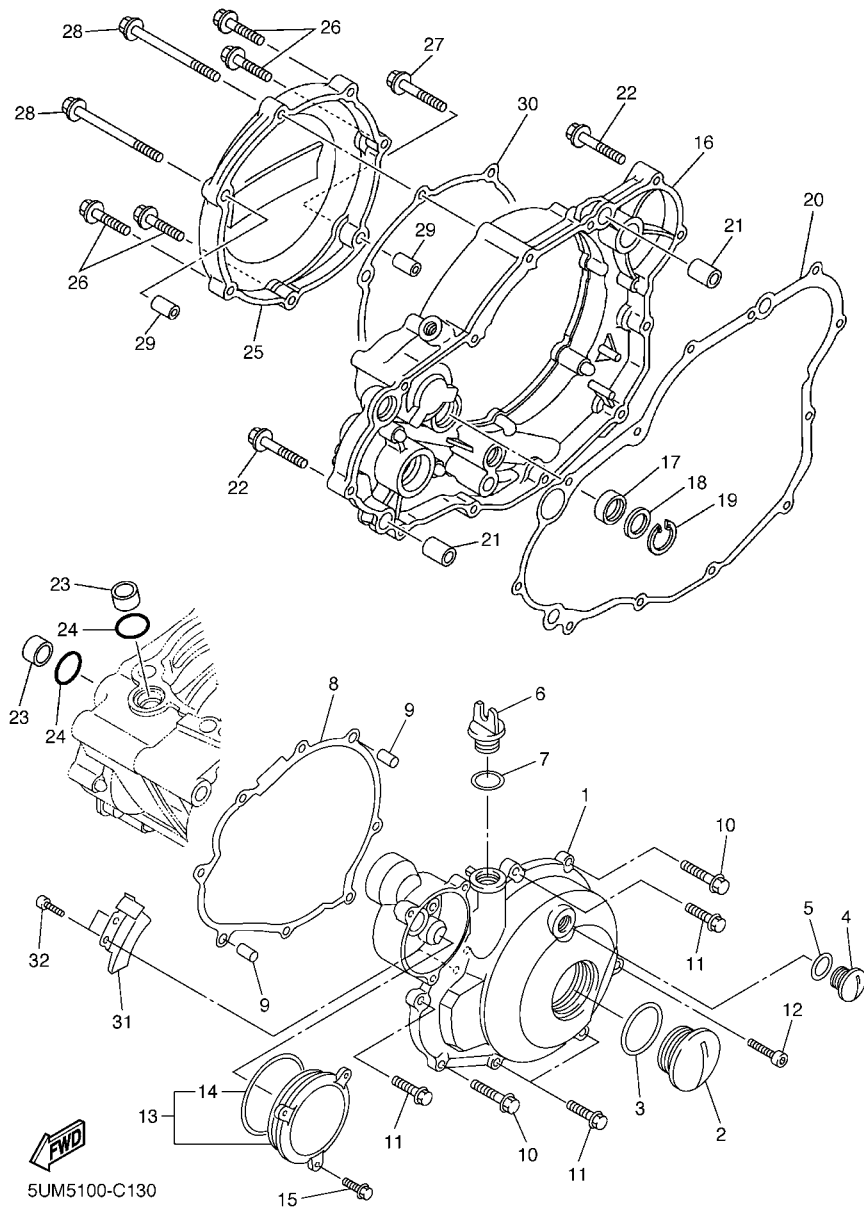
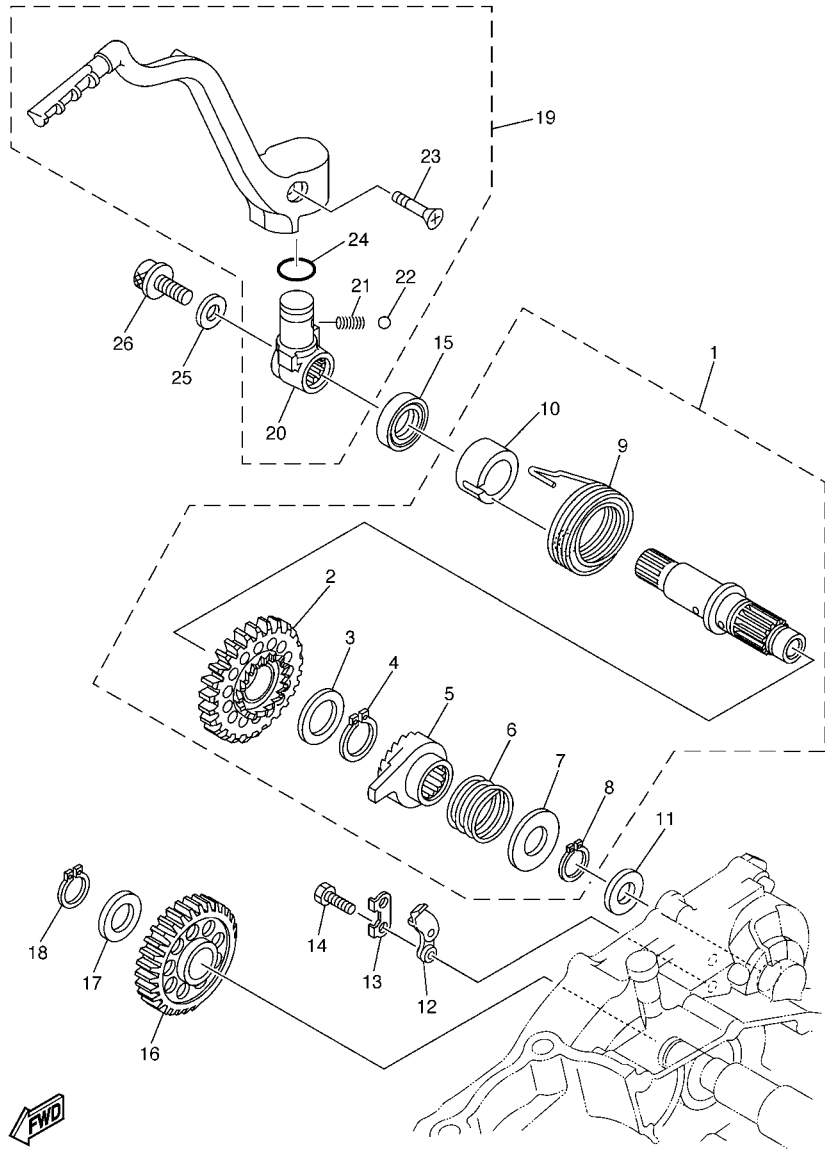


FIG. 13 CRANKCASE COVER 1

REF. NO.	PART NO.	DESCRIPTION	5UM5	5UM6	5UM7	REMARKS
28	90105-065A1	BOLT, FLANGE	2	2	2	
29	99530-08016	PIN, DOWEL	2	2	2	
30	5NL-15453-00	GASKET 1	1	1	1	
31	5UM-81528-00	CLAMP 1	1	1	1	
32	91317-05012	BOLT	2	2	2	



5SG1100-2140

FIG. 14 STARTER

REF. NO.	PART NO.	DESCRIPTION	SUM5	SUM6	SUM7	REMARKS
1	5NL-15601-00	KICK SHAFT ASSY	1	1	1	
2	5NL-15641-00	.GEAR, KICK	1	1	1	
3	90201-20685	.WASHER, PLATE (T=0.5)	1	1	1	
4	93410-20038	.CIRCLIP	1	1	1	
5	4GY-15671-00	.WHEEL, RATCHET	1	1	1	
6	90501-16016	.SPRING, COMPRESSION	1	1	1	
7	90201-167P7	.WASHER, PLATE	1	1	1	
8	99009-16400	.CIRCLIP	1	1	1	
9	90508-30743	.SPRING, TORSION	1	1	1	
10	5NL-15664-00	.GUIDE, SPRING	1	1	1	
11	90201-162H4	WASHER, PLATE	1	1	1	
12	5SG-15668-00	STOPPER	1	1	1	
13	214-15686-00	WASHER, LOCK	1	1	1	
14	90101-06001	BOLT	2	2	2	
15	93102-18278	OIL SEAL	1	1	1	
16	5NL-15651-00	GEAR, KICK IDLE	1	1	1	
17	90201-177G4	WASHER, PLATE	1	1	1	
18	99009-17400	CIRCLIP	1	1	1	
19	5NL-15620-10	KICK CRANK ASSY	1	1	1	
20	5NX-15621-10	.BOSS, KICK CRANK	1	1	1	
21	90501-147A5	.SPRING, COMPRESSION	1	1	1	
22	93507-32009	.BALL	1	1	1	
23	90152-06010	.SCREW, COUNTERSUNK	1	1	1	
24	93210-17570	.O-RING	1	1	1	
25	90201-08326	WASHER, PLATE	1	1	1	
26	90109-082G0	BOLT	1	1	1	



5UM5100-C150

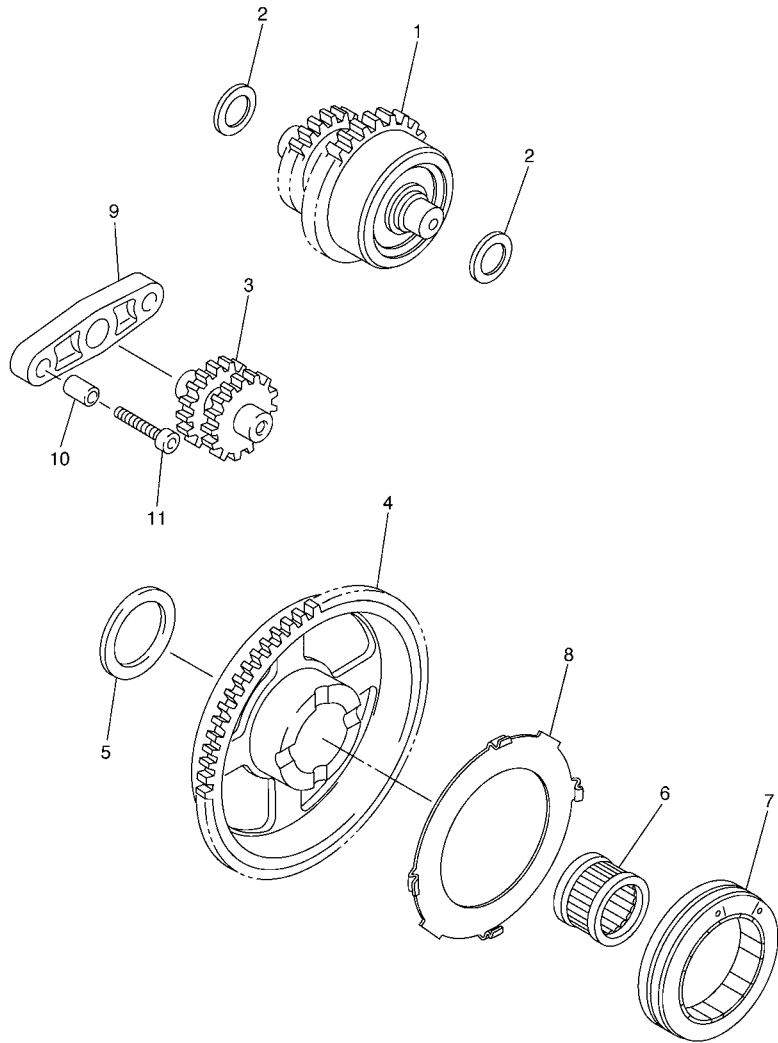
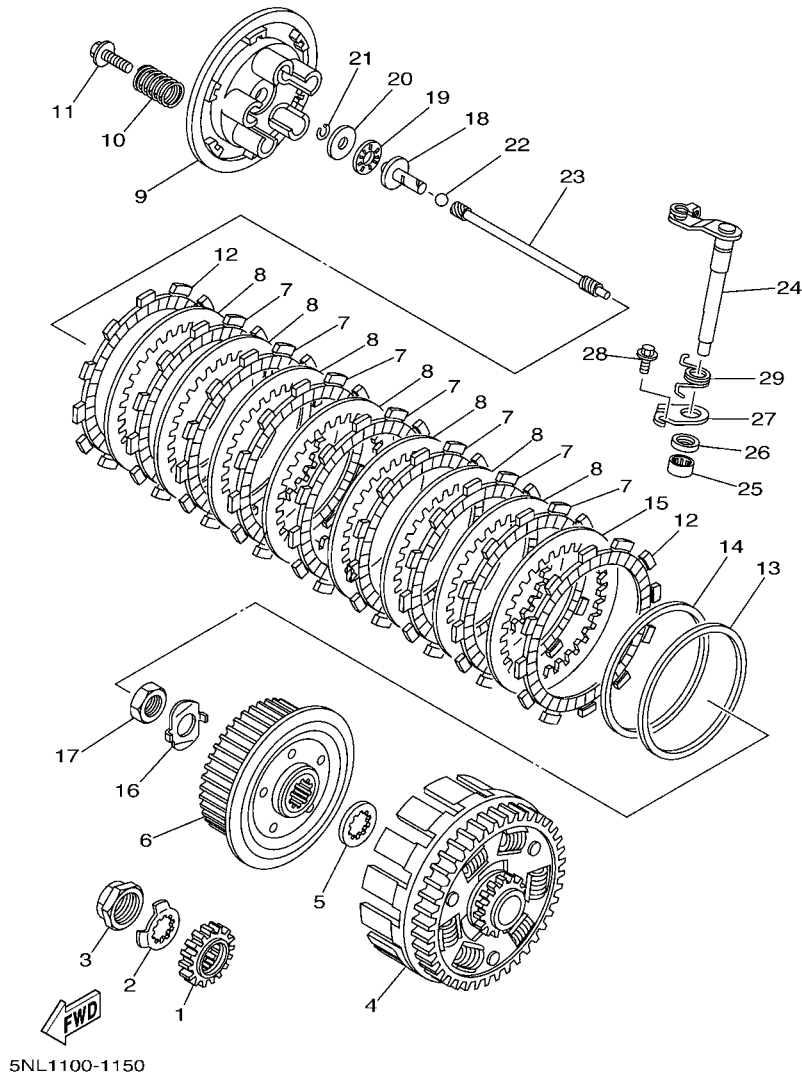


FIG. 15 STARTER CLUTCH

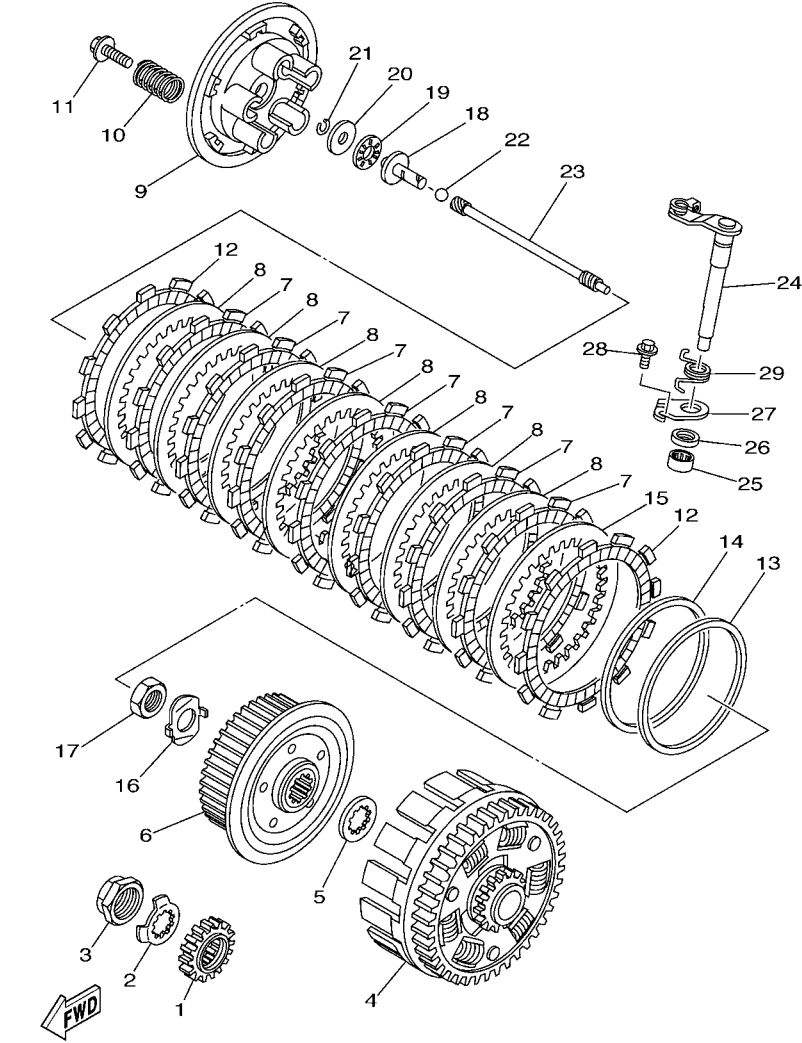
REF. NO.	PART NO.	DESCRIPTION	5UM5	5UM6	5UM7	REMARKS
1	5UM-15560-00	DAMPER ASSY	1	1	1	
2	90201-104R2	WASHER, PLATE	2	2	2	
3	5UM-15517-00	GEAR, IDLER 2	1	1	1	
4	5UM-15515-10	GEAR 3	1	1	1	
5	90201-203L1	WASHER, PLATE	1	1	1	
6	93310-42057	BEARING	1	1	1	
7	5UM-15570-00	STARTER CLUTCH ASSY	1	1	1	
8	5VY-15586-00	PLATE, STARTER CLUTCH ASSY	1	1	1	
9	5UM-15532-00	PLATE, IDLE GEAR	1	1	1	
10	99530-08012	PIN, DOWEL	2	2	2	
11	91317-06025	BOLT	2	2	2	

FIG. 16 CLUTCH



REF. NO.	PART NO.	DESCRIPTION	5UM5	5UM6	5UM7	REMARKS
1	5NL-16111-00	GEAR, PRIMARY DRIVE	1	1	1	
2	90215-20003	WASHER, LOCK	1	1	1	
3	90179-18001	NUT	1	1	1	
4	5NL-16150-10	PRIMARY DRIVEN GEAR COMP.	1	1	1	
5	5NL-16154-00	PLATE, THRUST 1	1	1	1	
6	5NL-16371-00	BOSS, CLUTCH	1	1	1	
7	5DH-16321-00	PLATE, FRICTION	7	7	7	
8	5NL-16325-00	PLATE, CLUTCH 2	7	7	7	
9	5HD-16351-00	PLATE, PRESSURE 1	1	1	1	
10	90501-220A0	SPRING, COMPRESSION	5	5	5	
11	90159-06092	SCREW, WITH WASHER	5	5	5	
12	3XJ-16321-00	PLATE, FRICTION	2	2	2	
13	5NL-16384-00	PLATE, SEAT	1	1	1	
14	5NL-16383-10	SPRING, CLUTCH BOSS	1	1	1	
15	5NL-16325-10	PLATE, CLUTCH 2	1	1	1	
16	90215-16289	WASHER, LOCK	1	1	1	
17	90170-16326	NUT	1	1	1	
18	5NL-16356-00	ROD, PUSH 1	1	1	1	
19	93340-21008	BEARING	1	1	1	
20	90201-080H1	WASHER, PLATE	1	1	1	
21	93440-07182	CIRCLIP	1	1	1	
22	93511-32027	BALL	1	1	1	
23	5NL-16357-00	ROD, PUSH 2	1	1	1	
24	5JG-16381-00	PUSH LEVER COMP.	1	1	1	
25	93317-11287	BEARING	1	1	1	
26	93102-12224	OIL SEAL	1	1	1	
27	4JT-16384-00	PLATE, SEAT	1	1	1	

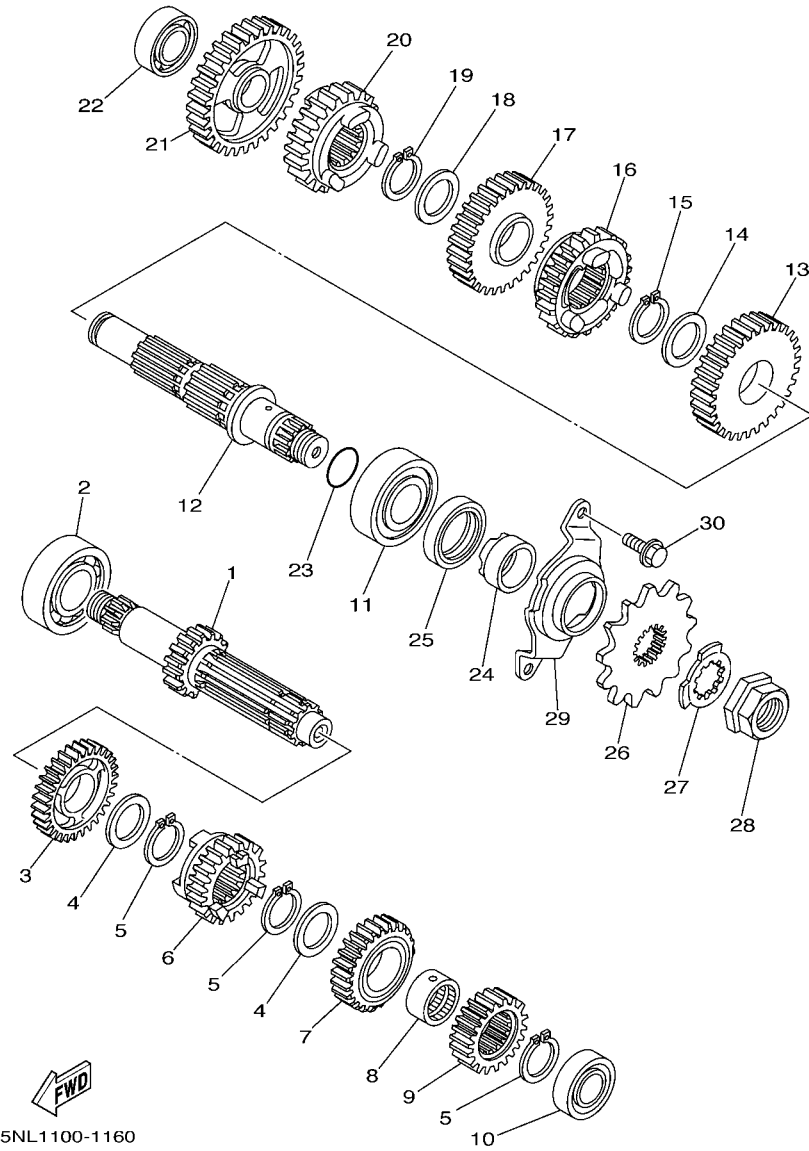
FIG. 16 CLUTCH



5NL1100-1150

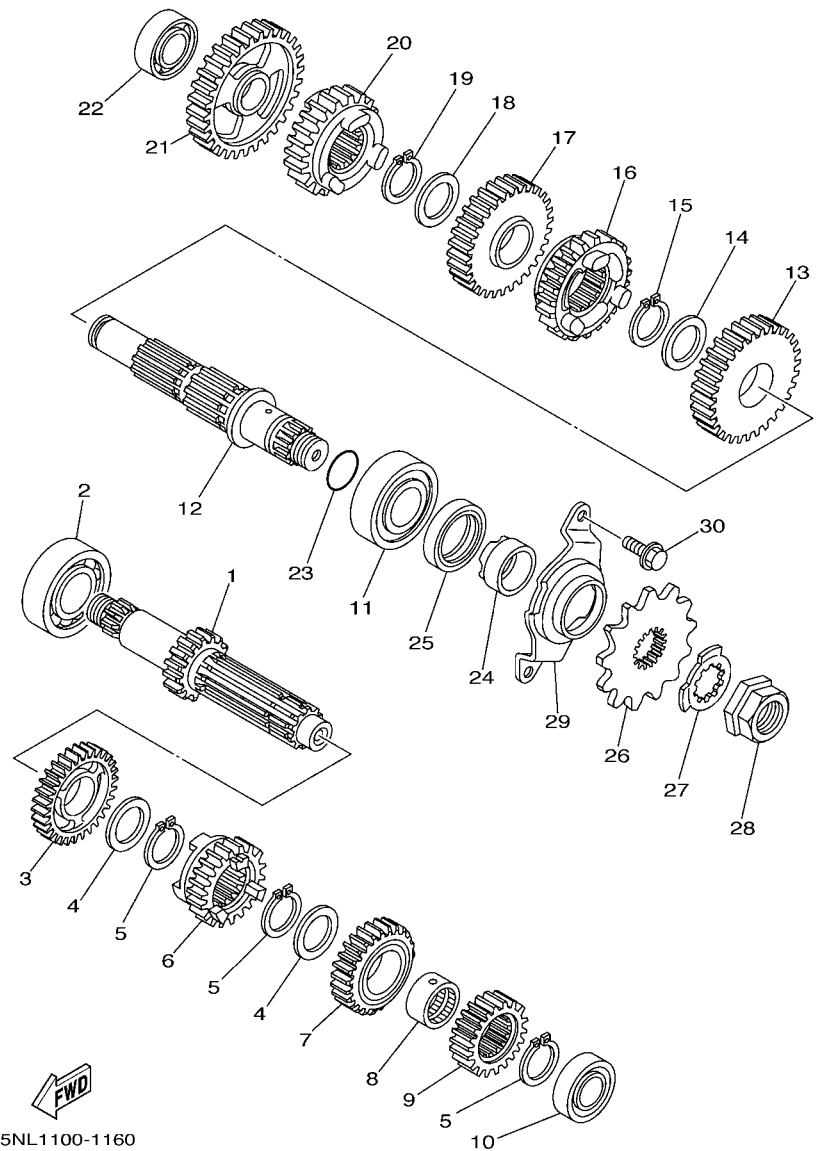
REF. NO.	PART NO.	DESCRIPTION	SUM5	SUM6	SUM7	REMARKS
28	95027-06010	BOLT, FLANGE	1	1	1	
29	90508-142B5	SPRING, TORSION	1	1	1	

FIG. 17 TRANSMISSION



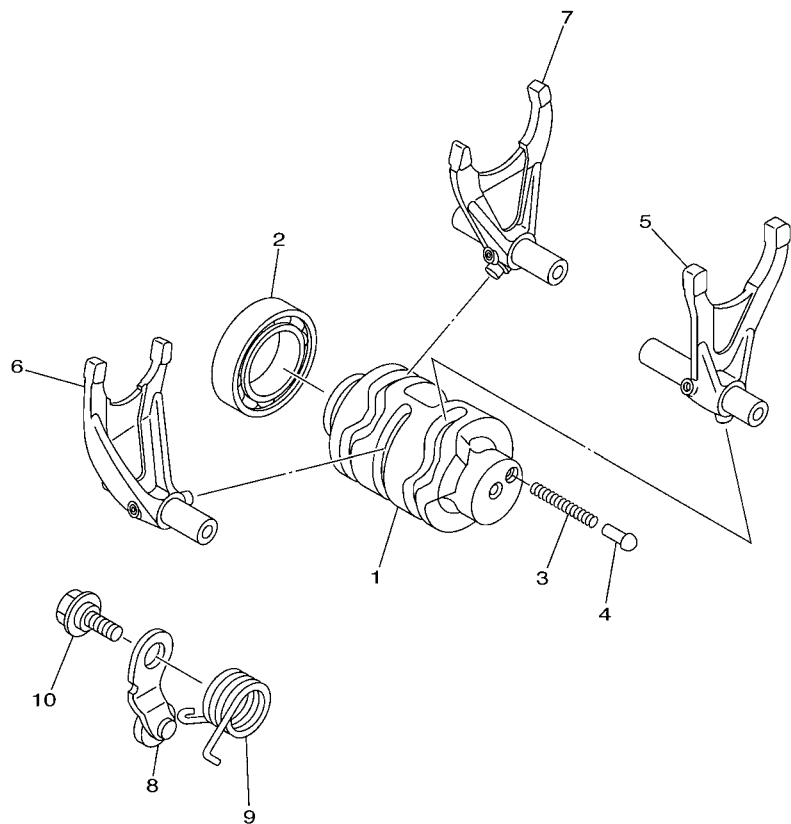
REF. NO.	PART NO.	DESCRIPTION	SUM5	SUM6	SUM7	REMARKS
1	5PH-17411-10	AXLE, MAIN (13T)	1	1	1	
2	93306-20447	BEARING	1	1	1	
3	5PH-17151-00	GEAR,5TH PINION (27T)	1	1	1	
4	90209-20008	WASHER	2	2	2	
5	93410-22039	CIRCLIP	3	3	3	
6	5PH-17131-10	GEAR,3RD PINION (21T)	1	1	1	
7	5PH-17141-10	GEAR, 4TH PINION (24T)	1	1	1	
8	90387-20006	COLLAR	1	1	1	
9	5NL-17121-00	GEAR, 2ND PINION (16T)	1	1	1	
10	93306-00320	BEARING	1	1	1	
11	93306-27208	BEARING	1	1	1	
12	5NL-17402-00	DRIVE AXLE ASSY	1	1	1	
13	5NL-17221-00	GEAR, 2ND WHEEL (28T)	1	1	1	
14	90209-23012	WASHER	1	1	1	
15	93410-26067	CIRCLIP	1	1	1	
16	5PH-17241-10	GEAR, 4TH WHEEL (25T)	1	1	1	
17	5PH-17231-10	GEAR,3RD WHEEL (28T)	1	1	1	
18	90209-20008	WASHER	1	1	1	
19	93410-22039	CIRCLIP	1	1	1	
20	5PH-17251-10	GEAR,5TH WHEEL (22T)	1	1	1	
21	5PH-17211-00	GEAR,1ST WHEEL (31T)	1	1	1	
22	93306-00317	BEARING	1	1	1	
23	93210-196A4	O-RING	1	1	1	
24	90387-22001	COLLAR	1	1	1	
25	93102-28010	OIL SEAL	1	1	1	
26	9383B-13218	SPROCKET, DRIVE (13T)	1	1	1	STD
	9383B-14222	SPROCKET, DRIVE (14T)			1	AP

FIG. 17 TRANSMISSION



REF. NO.	PART NO.	DESCRIPTION	5UM5	5UM6	5UM7	REMARKS
27	90215-20003	WASHER, LOCK	1	1	1	
28	90179-18001	NUT	1	1	1	
29	5NL-17471-00	PLATE, COVER	1	1	1	
30	90105-06553	BOLT, FLANGE	2	2	2	

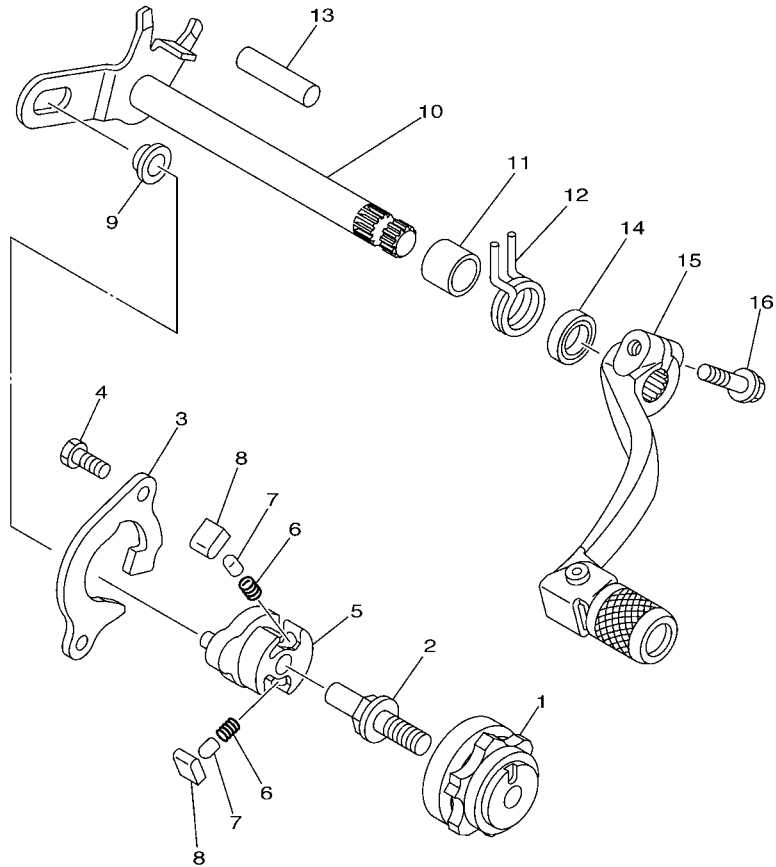
FIG. 18 SHIFT CAM & FORK



REF. NO.	PART NO.	DESCRIPTION	SUM5	SUM6	SUM7	REMARKS
1	5NL-18541-00	CAM, SHIFT	1	1	1	
2	93306-90501	BEARING	1	1	1	
3	90501-06022	SPRING, COMPRESSION	1	1	1	
4	4BA-18542-00	POINT, NEUTRAL	1	1	1	
5	5NL-18501-00	FORK, SHIFT 1	1	1	1	
6	5NL-18502-00	FORK, SHIFT 2	1	1	1	
7	5NL-18503-00	FORK, SHIFT 3	1	1	1	
8	3XK-18140-00	STOPPER LEVER ASSY	1	1	1	
9	90508-26561	SPRING, TORSION	1	1	1	
10	90109-063F8	BOLT	1	1	1	

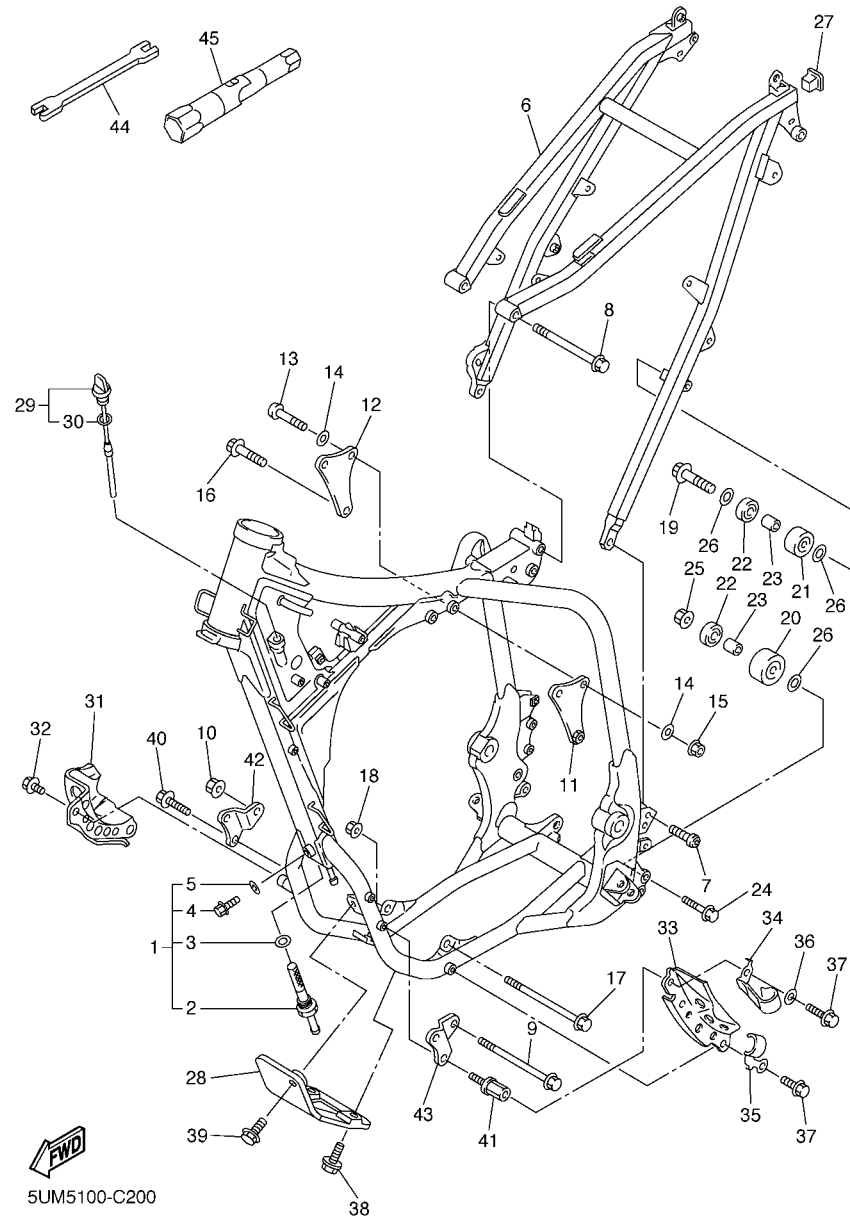

5NL1100-1170

FIG. 19 SHIFT SHAFT



5NL1100-1180

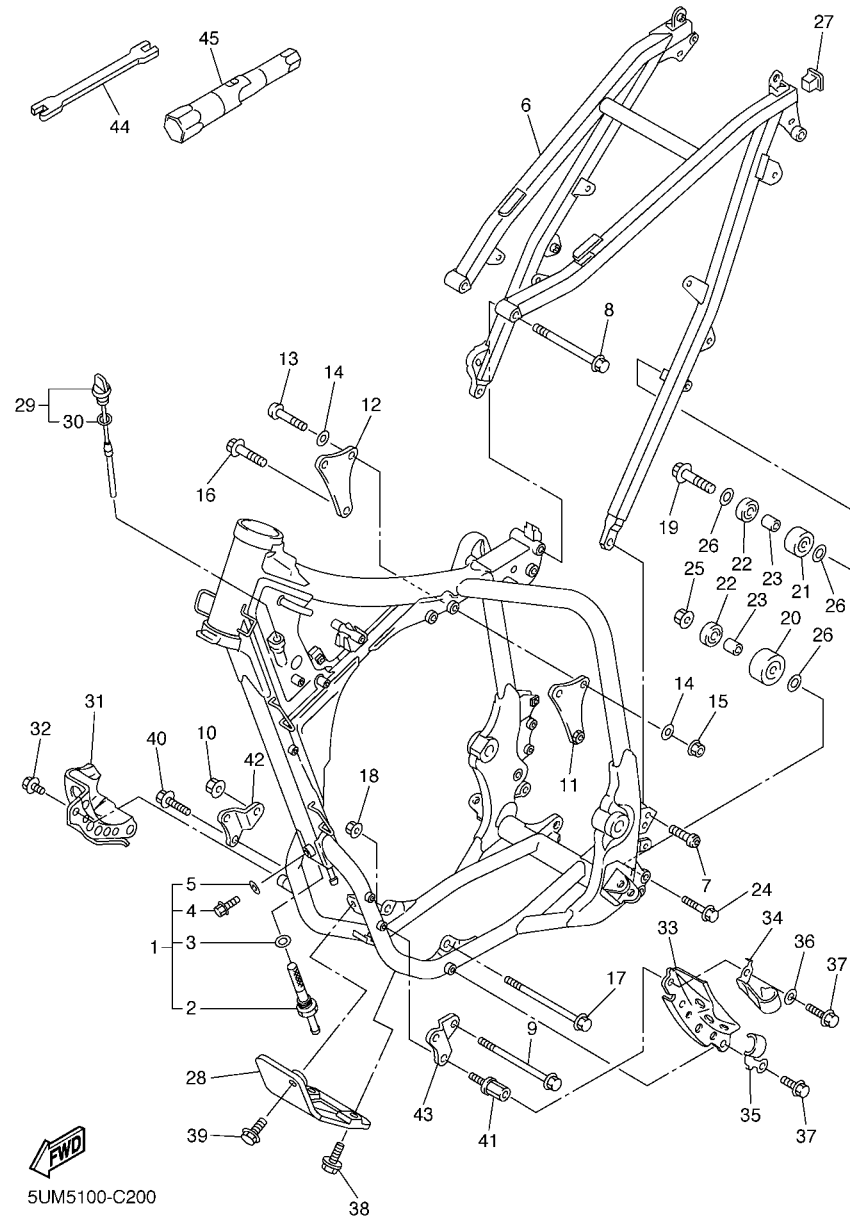
REF. NO.	PART NO.	DESCRIPTION	SUM5	SUM6	SUM7	REMARKS
1	4EW-18185-00	SEGMENT	1	1	1	
2	3XJ-18173-00	PIN, SHIFT	1	1	1	
3	5BE-18172-00	GUIDE, SHIFT	1	1	1	
4	90101-06664	BOLT	2	2	2	
5	5LP-18122-00	LEVER, SHIFT 2	1	1	1	
6	90501-052G5	SPRING, COMPRESSION	2	2	2	
7	3XJ-18184-00	PIN, PAWL	2	2	2	
8	3XJ-18182-00	PAWL, SHIFTER	2	2	2	
9	3XJ-18178-00	ROLLER, SHIFT LEVER	1	1	1	
10	5UL-18101-00	SHIFT SHAFT ASSY	1	1	1	
11	90387-124F4	COLLAR	1	1	1	
12	90508-291A8	SPRING, TORSION	1	1	1	
13	93608-33002	PIN, DOWEL	1	1	1	
14	93102-12224	OIL SEAL	1	1	1	
15	5UL-18110-00	SHIFT PEDAL ASSY	1	1	1	
16	95027-06020	BOLT, FLANGE	1	1	1	



5UM5100-C200

FIG. 20 FRAME

REF. NO.	PART NO.	DESCRIPTION	5UM5	5UM6	5UM7	REMARKS
1	5UM-21101-50	FRONT FRAME COMP.	1	1	1	
2	5TA-21756-00	.NET, FILTER	1	1	1	
3	90201-145M4	.WASHER, PLATE	1	1	1	
4	95827-08012	.BOLT, FLANGE	1	1	1	
5	90430-08119	.GASKET	1	1	1	
6	5TJ-21190-50	REAR FRAME COMP.	1	1	1	
7	90110-08096	BOLT, HEXAGON SOCKET HEAD	2	2	2	
8	90105-08120	BOLT, FLANGE	1	1	1	
9	90105-10072	BOLT, FLANGE	1	1	1	
10	90179-10658	NUT	1	1	1	
11	5NL-21425-00	BRACKET, REAR UPPER 1	1	1	1	
12	5NL-21425-10	BRACKET, REAR UPPER 1	1	1	1	
13	92017-08055	BOLT, BUTTON HEAD	2	2	2	
14	90201-086P8	WASHER, PLATE	4	4	4	
15	90179-08674	NUT	2	2	2	
16	95817-10050	BOLT, FLANGE	1	1	1	
17	90105-10733	BOLT, FLANGE	1	1	1	
18	90179-10658	NUT	1	1	1	
19	95027-08040	BOLT, FLANGE	1	1	1	
20	3JD-22178-10	TENSIONER	1	1	1	
21	4EW-22178-01	TENSIONER	1	1	1	
22	93300-60804	BEARING	2	2	2	
23	90387-086N4	COLLAR	2	2	2	
24	95027-08065	BOLT, FLANGE	1	1	1	
25	95707-08500	NUT, FLANGE	1	1	1	
26	90201-086P8	WASHER, PLATE	3	3	3	
27	90338-18176	PLUG	1	1	1	

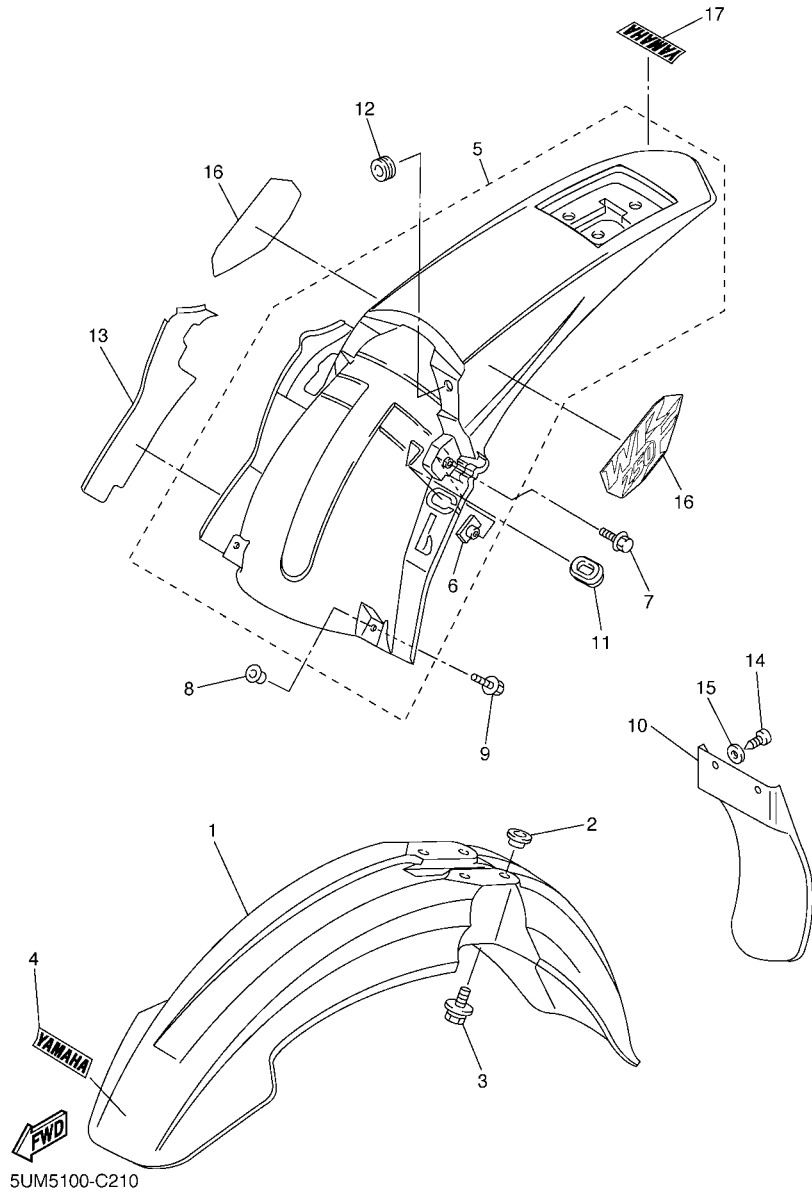


5UM5100-C200

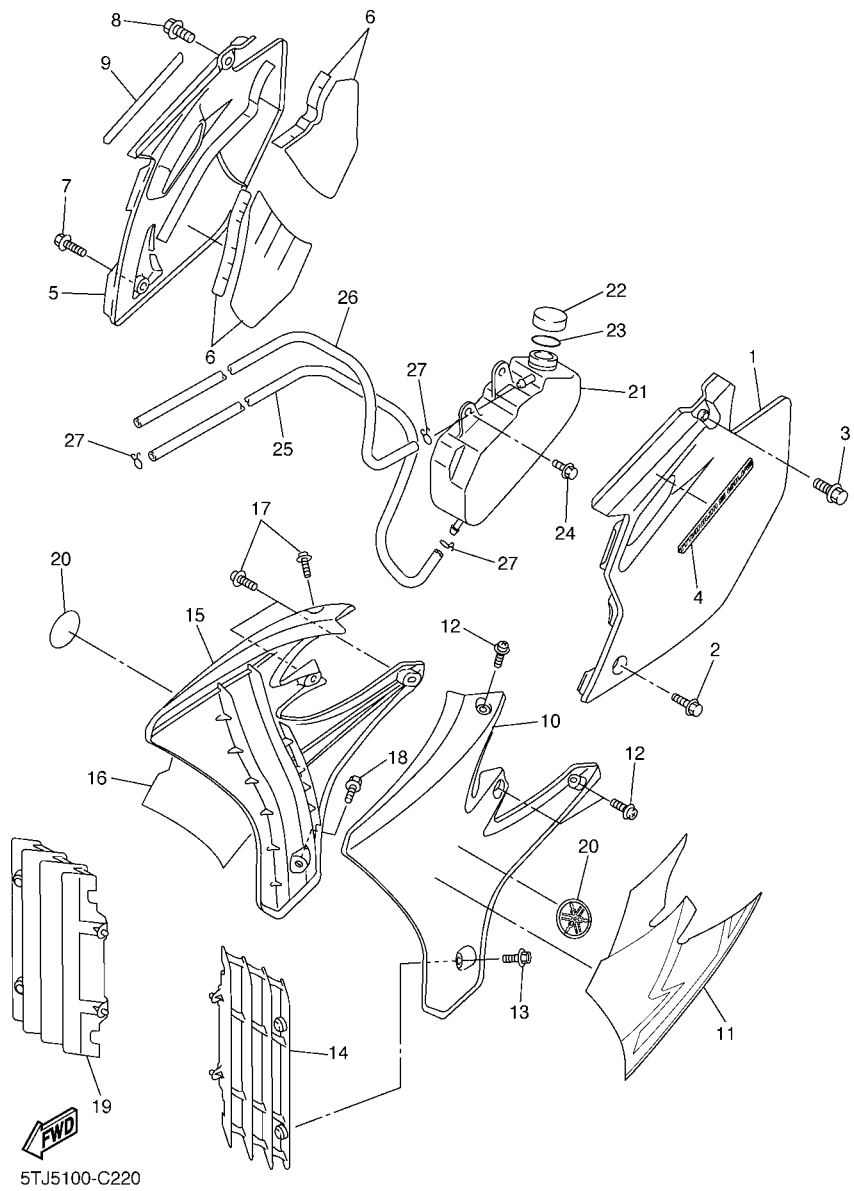
FIG. 20 FRAME

REF. NO.	PART NO.	DESCRIPTION	5UM5	5UM6	5UM7	REMARKS
28	5NL-21471-01	PROTECTOR, ENGINE	1	1	1	
29	5UM-15362-00	PLUG, OIL LEVEL	1	1	1	
30	93210-08001	.O-RING	1	1	1	
31	5NL-2147A-00	GUARD, ENGINE 1	1	1	1	
32	95027-08016	BOLT, FLANGE	2	2	2	
33	5UM-2147A-00	GUARD, ENGINE 1	1	1	1	
34	5TJ-21338-00	CLAMP	1	1	1	
35	5NG-21338-01	CLAMP	1	1	1	
36	90201-086P8	WASHER, PLATE	1	1	1	
37	95027-08016	BOLT, FLANGE	2	2	2	
38	95027-06012	BOLT, FLANGE	2	2	2	
39	90119-06001	BOLT, WITH WASHER	1	1	1	
40	95817-08016	BOLT, FLANGE	3	3	3	
41	5PH-21481-00	BOLT, ENGINE MOUNTING 1	1	1	1	
42	5UL-21417-00	BRACKET, FRONT LOWER 1	1	1	1	
43	5UL-21417-10	BRACKET, FRONT LOWER 1	1	1	1	
44	5ET-28166-00	WRENCH, HEXAGON	1	1	1	
45	5TA-2814F-00	BOX, SPARK PLUG	1	1	1	

FIG. 21 FENDER



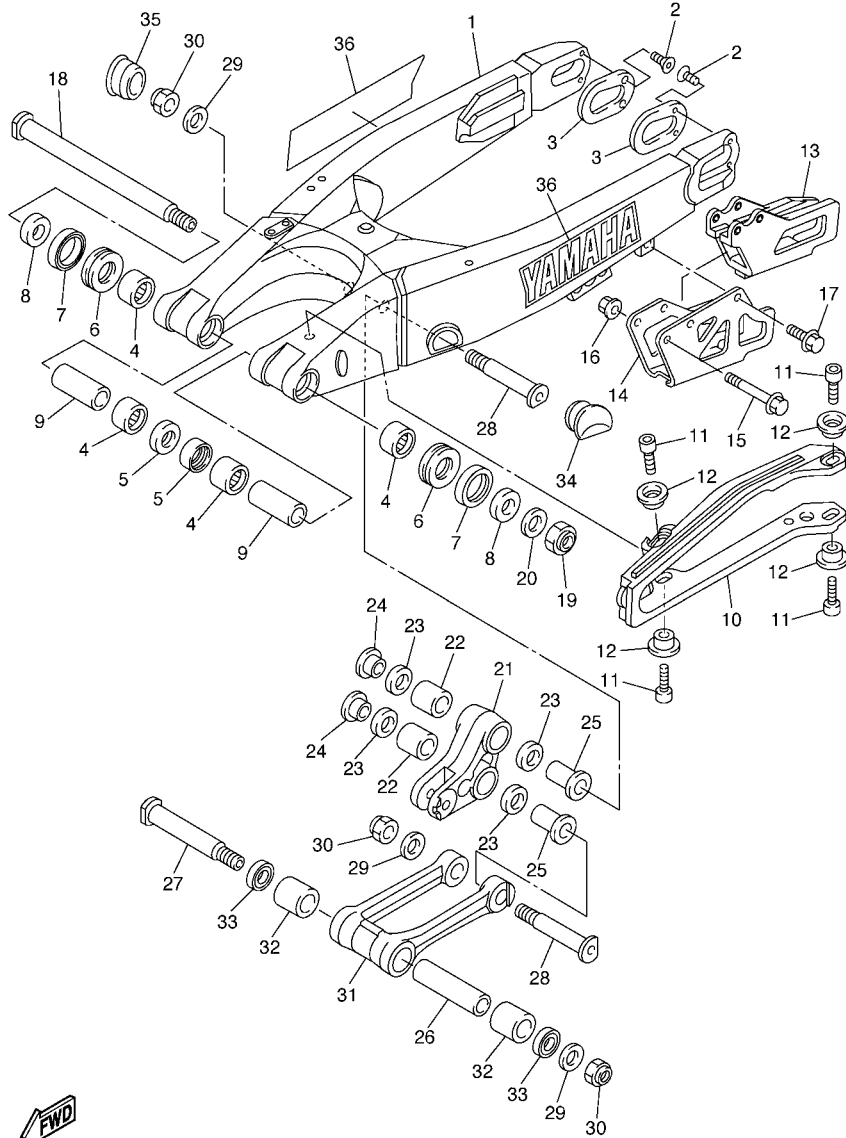
REF. NO.	PART NO.	DESCRIPTION	SUM5	SUM6	SUM7	REMARKS
1	5HD-21511-00	FENDER, FRONT	1	1	1	
2	3JD-21748-00	COLLAR	4	4	4	
3	90119-06096	BOLT, WITH WASHER	4	4	4	
4	4ES-2153E-01	EMBLEM, YAMAHA	1	1	1	
5	5TJ-21610-50	REAR FENDER COMP.	1	1	1	
6	5XD-21635-00	.NUT, REAR FENDER	2	2	2	
7	90119-06192	BOLT, WITH WASHER	2	2	2	
8	90387-06009	COLLAR	2	2	2	
9	90119-06225	BOLT, WITH WASHER	2	2	2	
10	5TA-21642-00	GUARD, FLAP	1	1	1	
11	90480-01512	GROMMET	1	1	1	
12	90480-14532	GROMMET	1	1	1	
13	5TJ-2174T-00	INSULATOR, SIDE COVER 2	1	1	1	
14	97707-60016	SCREW, TAPPING	2	2	2	
15	90201-06557	WASHER, PLATE	2	2	2	
16	5UM-2163G-50	EMBLEM 1	2	2	2	
17	4ES-2153E-01	EMBLEM, YAMAHA	1	1	1	



5TJ5100-C220

FIG. 22 SIDE COVER

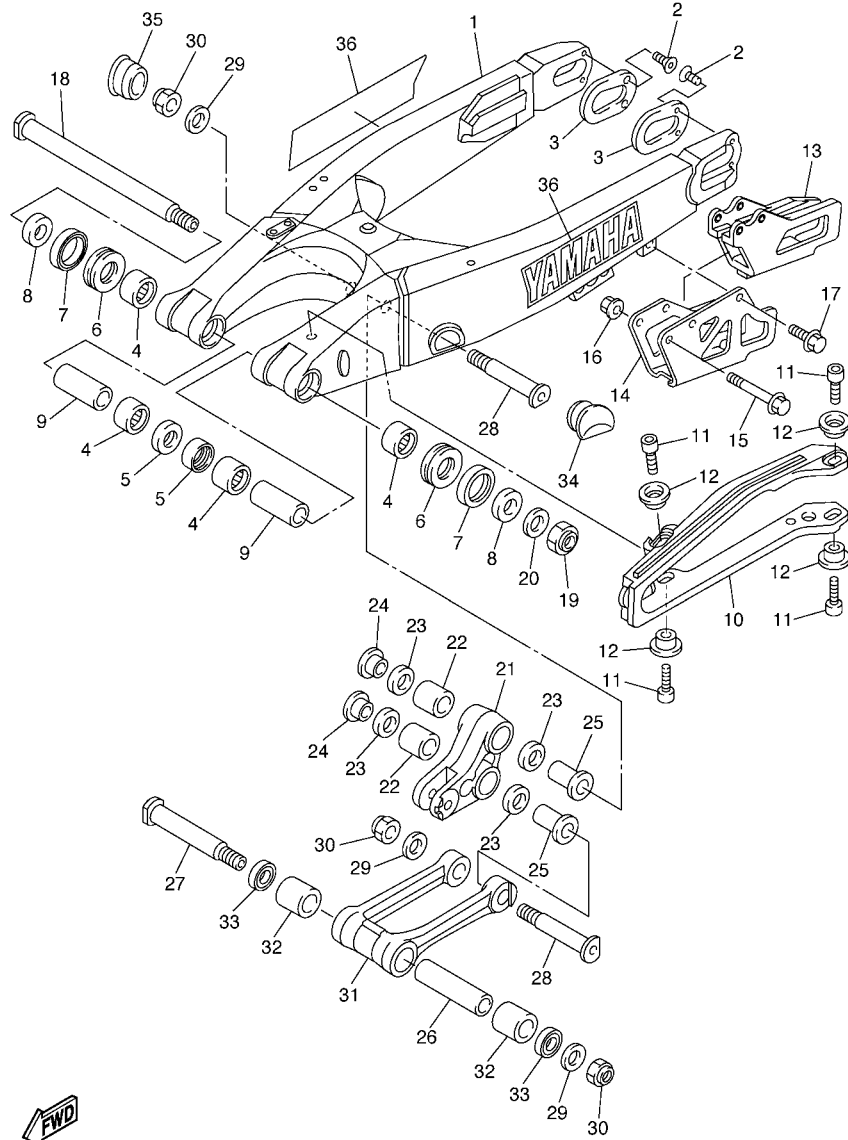
REF. NO.	PART NO.	DESCRIPTION	SUM5	SUM6	SUM7	REMARKS
1	5TJ-21711-00	COVER, SIDE 1	1	1	1	
2	95827-06016	BOLT, FLANGE	1	1	1	
3	90119-08238	BOLT, WITH WASHER	1	1	1	
4	5XD-21781-00	EMBLEM 1	1	1	1	
5	5TJ-21721-00	COVER, SIDE 2	1	1	1	
6	5TJ-2174A-00	INSULATOR, SIDE COVER	1	1	1	
7	95827-06016	BOLT, FLANGE	1	1	1	
8	90119-08238	BOLT, WITH WASHER	1	1	1	
9	5XD-21781-00	EMBLEM 1	1	1	1	
10	5TJ-21730-00	SIDE COVER ASSY 3	1	1	1	
11	5TJ-2173E-10	GRAPHIC 1	1	1	1	
12	90159-06182	SCREW, WITH WASHER	3	3	3	
13	90159-06078	SCREW, WITH WASHER	1	1	1	
14	5PH-2172A-10	PANEL 1	1	1	1	
15	5TJ-21740-00	SIDE COVER ASSY 4	1	1	1	
16	5TJ-2173F-10	GRAPHIC 2	1	1	1	
17	90159-06182	SCREW, WITH WASHER	3	3	3	
18	90159-06078	SCREW, WITH WASHER	1	1	1	
19	5PH-2172A-10	PANEL 1	1	1	1	
20	5MV-2175C-00	TUNING FORK MARK	2	2	2	
21	5GS-21871-00	TANK, RECOVERY	1	1	1	
22	26H-21875-00	CAP	1	1	1	
23	26H-21874-00	GASKET	1	1	1	
24	90119-06051	BOLT, WITH WASHER	2	2	2	
25	91A20-05140	TUBE, FLEXIBLE VINYL	1	1	1	
26	91A11-05125	TUBE, FLEXIBLE	1	1	1	
27	90467-09006	CLIP	3	3	3	



5XD1100-C220

FIG. 23 REAR ARM

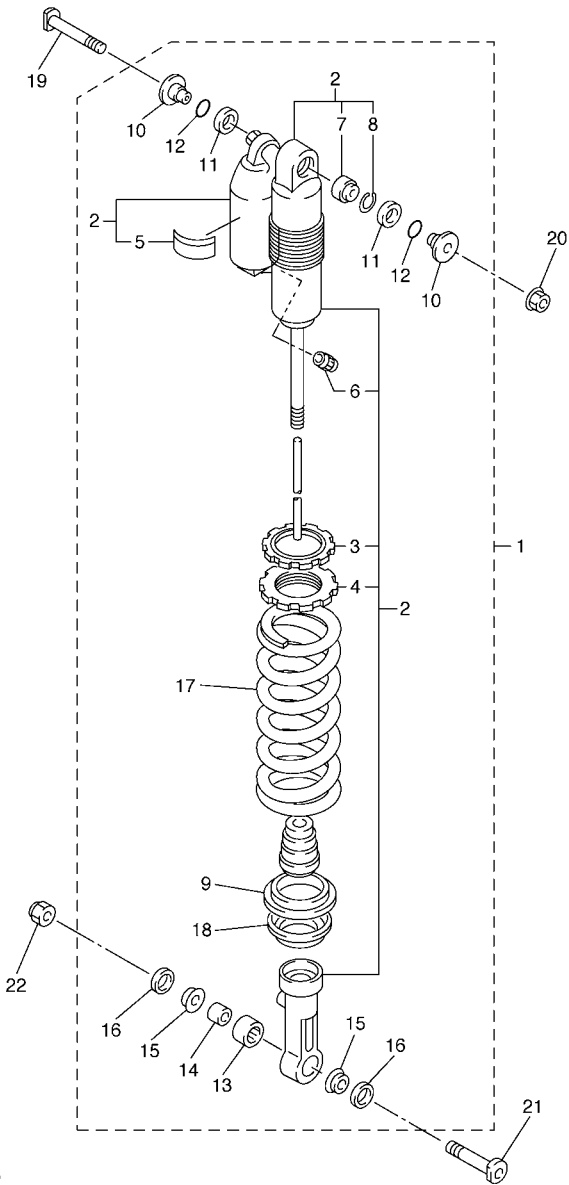
REF. NO.	PART NO.	DESCRIPTION	SUM5	SUM6	SUM7	REMARKS
1	5UN-22110-00	REAR ARM COMP.	1	1	1	
2	90151-04001	SCREW, COUNTERSUNK	4	4	4	
3	5UN-22355-00	PATCH	2	2	2	
4	93317-22262	BEARING	4	4	4	
5	93106-22019	OIL SEAL (DC 22-28-8)	2	2	2	
6	93342-22217	BEARING	2	2	2	
7	93109-28043	OIL SEAL	2	2	2	
8	90387-18005	COLLAR	2	2	2	
9	90387-18004	COLLAR	2	2	2	
10	5UN-22151-00	SEAL, GUARD	1	1	1	
11	91317-05008	BOLT	4	4	4	
12	5JG-22156-00	WASHER, PLATE	4	4	4	
13	5UM-22199-00	SUPPORT, CHAIN	1	1	1	
14	5UM-22128-00	COVER, THRUST 1	1	1	1	
15	95027-06050	BOLT, FLANGE	2	2	2	
16	90179-06568	NUT	2	2	2	
17	95027-06010	BOLT, FLANGE	1	1	1	
18	5NY-22141-01	SHAFT, PIVOT	1	1	1	
19	90185-16127	NUT, SELF-LOCKING	1	1	1	
20	90201-160F6	WASHER, PLATE	1	1	1	
21	5NY-2217A-00	ARM, RELAY	1	1	1	
22	93315-32056	BEARING	2	2	2	
23	93109-20076	OIL SEAL	4	4	4	
24	90387-16005	COLLAR	2	2	2	
25	90387-16007	COLLAR	2	2	2	
26	90387-167Y9	COLLAR	1	1	1	
27	5NY-22121-00	SHAFT 1	1	1	1	



5XD1100-C220

FIG. 23 REAR ARM

REF. NO.	PART NO.	DESCRIPTION	SUM5	SUM6	SUM7	REMARKS
28	5XE-22122-00	SHAFT 2	2	2	2	
29	90201-14740	WASHER, PLATE	3	3	3	
30	90185-14007	NUT, SELF-LOCKING	3	3	3	
31	5XE-2217F-00	ROD, CONNECTING 1	1	1	1	
32	93315-32053	BEARING	2	2	2	
33	93109-20076	OIL SEAL	2	2	2	
34	5XE-2135F-00	COVER	1	1	1	
35	5HD-2135F-00	COVER	1	1	1	
36	5UN-2153A-00	EMBLEM, YAMAHA	2	2	2	

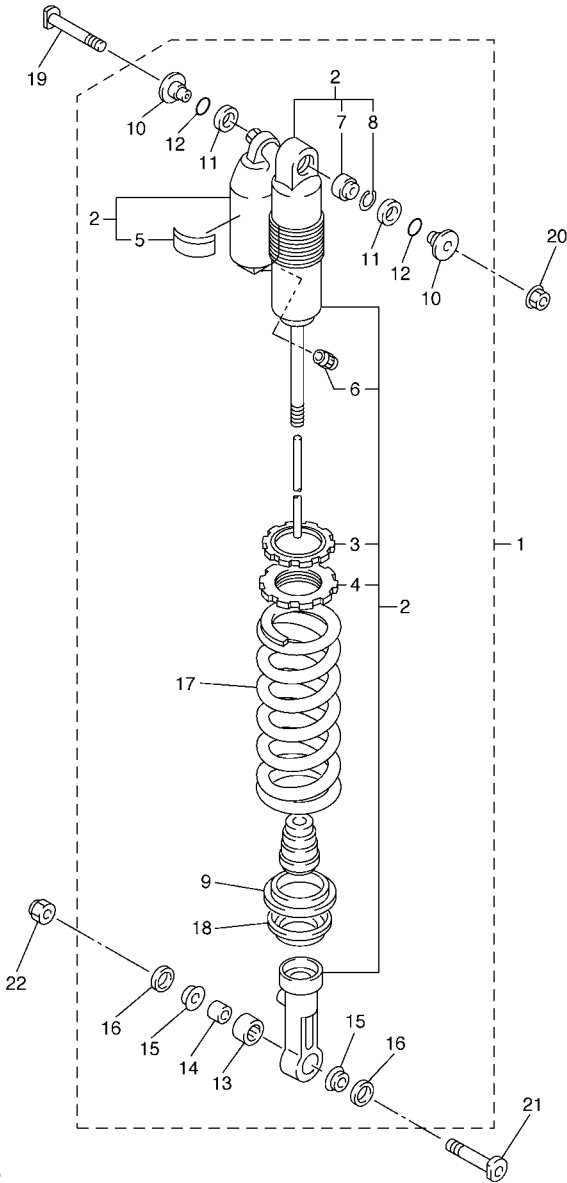


5XD1100-C230

FIG. 24 REAR SUSPENSION

REF. NO.	PART NO.	DESCRIPTION	5UM5	5UM6	5UM7	REMARKS
1	5UM-22210-80	SHOCK ABSORBER ASSY, REAR			1	FOR ZAF
2	5UM-22201-80	.DAMPER SUB ASSY			1	FOR ZAF
3	3SP-22234-00	..GUIDE, SPRING 3	1	1	1	
4	3SP-22213-00	..SEAT, SPRING UPPER	1	1	1	
5	4AA-22259-80	..LABEL, WARNING	1			
	4AA-22259-40	..LABEL, WARNING		1	1	UR FOR ZAF
6	509-23184-L0	..CAP, AIR VALVE	1	1	1	
7	4JX-22226-00	..BUSH, SHOCK ABSORBER LOWER	1	1	1	
8	5DH-23183-00	..CIRCLIP	1	1	1	
9	5MV-22224-00	.GUIDE, SPRING 2	1	1	1	
10	5DH-22253-00	.COLLAR, DISTANCE	2	2	2	
11	3JE-22475-00	.SEAL, DUST	2	2	2	
12	4EW-22474-00	.SEAL, RING	2	2	2	
13	5UN-22176-00	.BEARING	1	1	1	
14	5MV-22184-00	.BUSH	1	1	1	
15	5MV-22253-00	.COLLAR, DISTANCE	2	2	2	
16	5NY-22475-00	.SEAL, DUST	2	2	2	
17	5UN-22212-40	.SPRING (K=50N/MM)	1		1	
18	5XE-22214-00	.GUIDE, SPRING 1	1	1	1	

D9

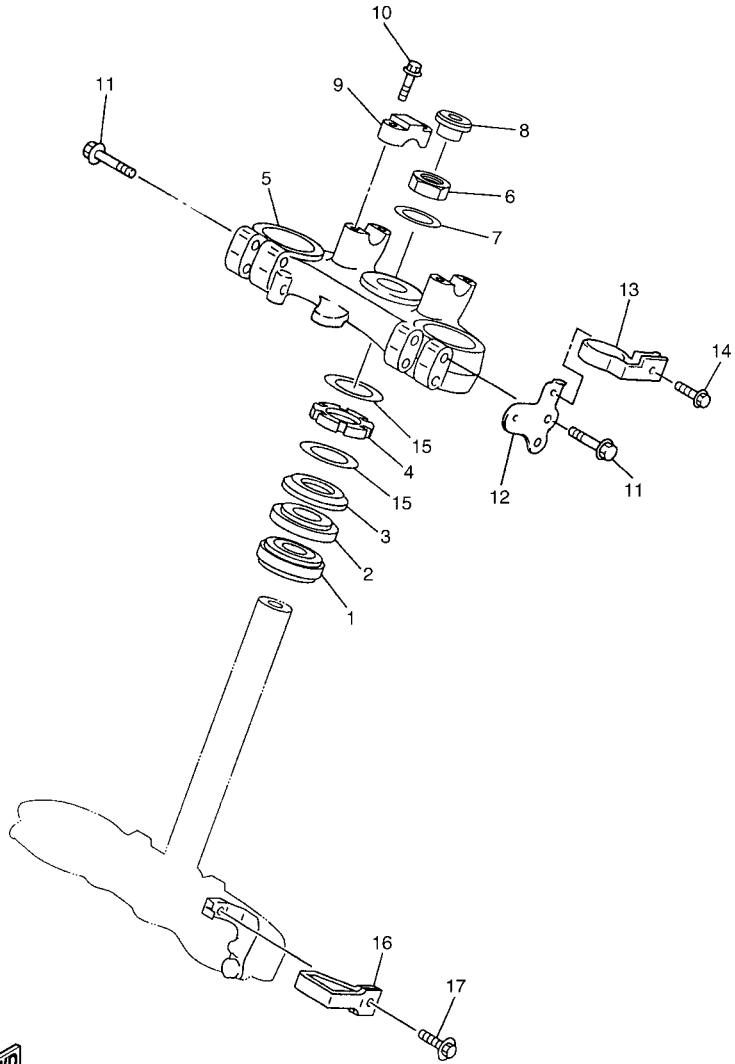


5XD1100-C230

FIG. 24 REAR SUSPENSION

REF. NO.	PART NO.	DESCRIPTION	SUM5	SUM6	SUM7	REMARKS
19	5XE-22242-00	BOLT 2	1	1	1	
20	95607-10200	NUT, SELF-LOCKING	1	1	1	
21	5NY-22241-00	BOLT 1	1	1	1	
22	90185-10060	NUT, SELF-LOCKING	1	1	1	

D10

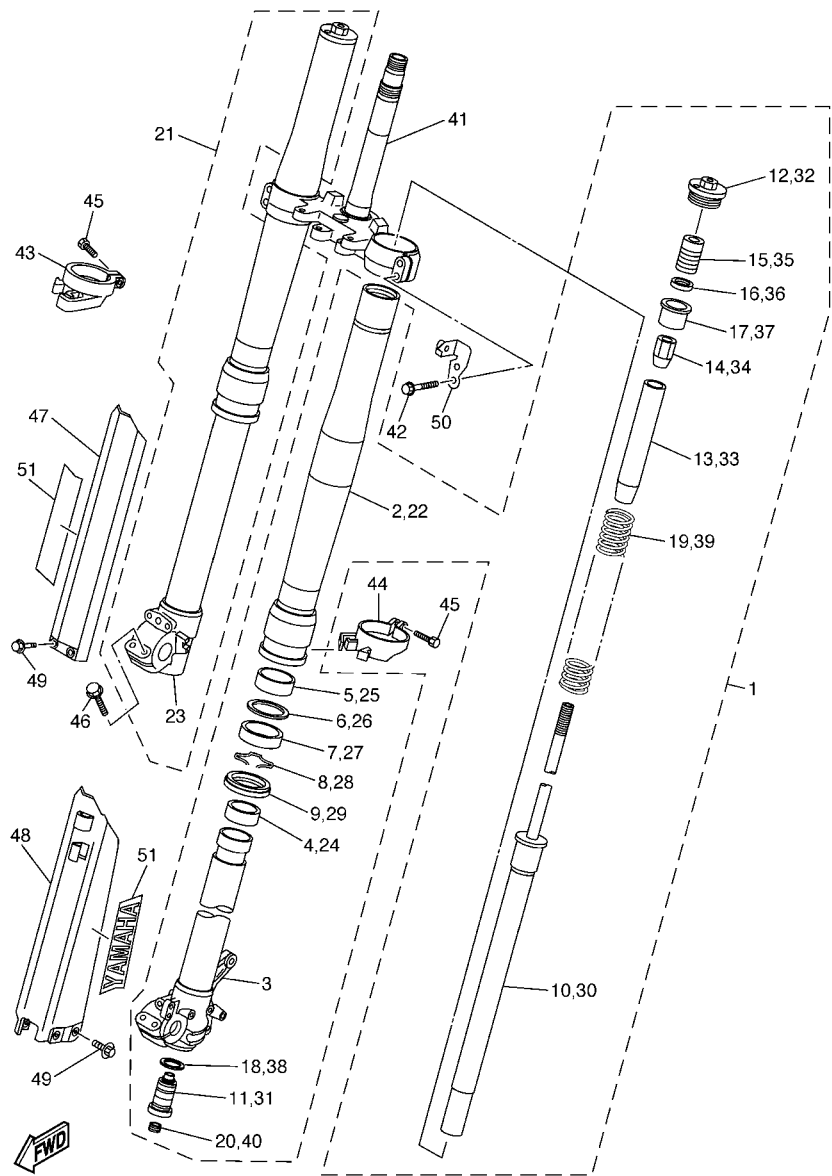


5TJ1100-B250

FIG. 25 STEERING

REF. NO.	PART NO.	DESCRIPTION	SUM5	SUM6	SUM7	REMARKS
1	93332-00081	BEARING	1	1	1	
2	93332-00068	BEARING	1	1	1	
3	4EW-23416-00	COVER, BALL RACE 2	1	1	1	
4	90179-28650	NUT	1	1	1	
5	5PH-23435-10	CROWN, HANDLE	1	1	1	
6	90170-24373	NUT	1	1	1	
7	90201-247L2	WASHER, PLATE	1	1	1	
8	5TJ-2319U-00	CAP	1	1	1	
9	5XE-23441-00	HOLDER, HANDLE UPPER	2	2	2	
10	95027-08035	BOLT, FLANGE	4	4	4	
11	95027-08040	BOLT, FLANGE	4	4	4	
12	5TJ-2831V-00	STAY, HEAD LIGHT 1	1	1	1	
13	4GY-23389-00	GUIDE, CABLE	1	1	1	
14	90105-05361	BOLT, FLANGE	1	1	1	
15	90201-286K9	WASHER, PLATE	2	2	2	
16	4DA-23389-00	GUIDE, CABLE	1	1	1	
17	90119-05071	BOLT, WITH WASHER	1	1	1	

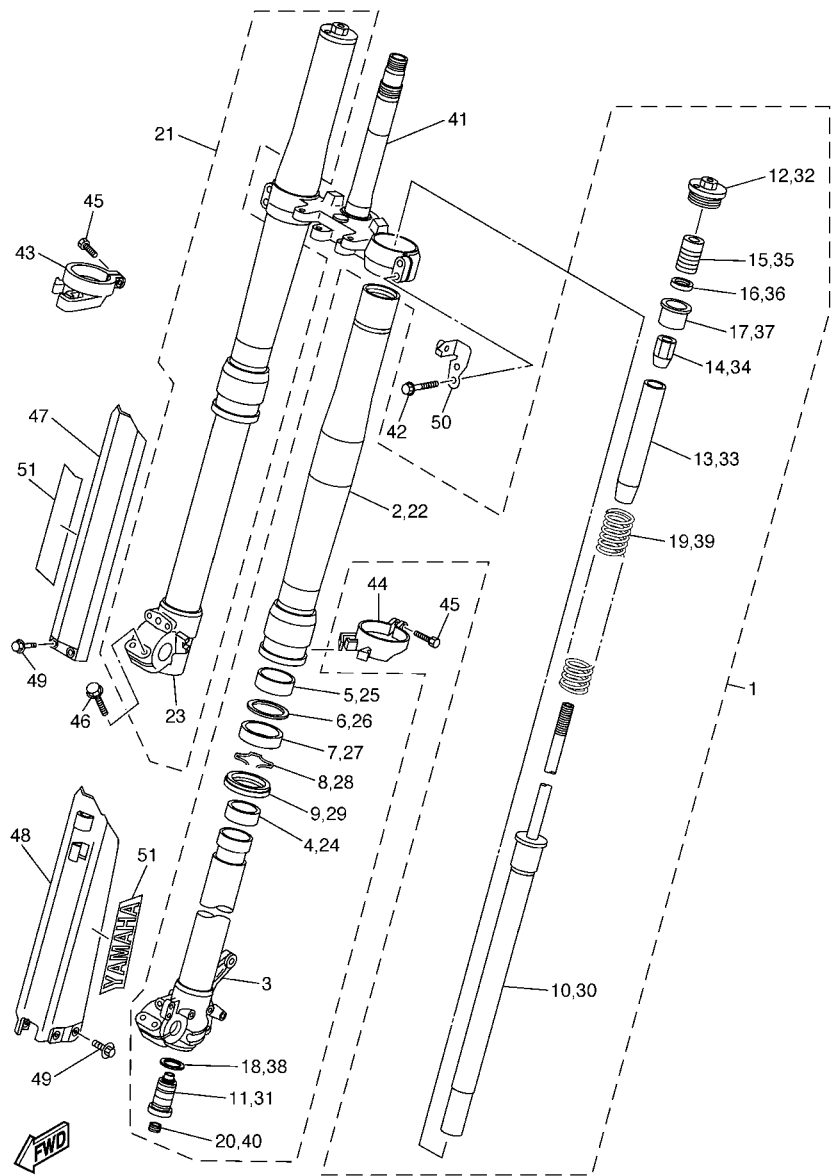
D11



5UM5100-C260

FIG. 26 FRONT FORK

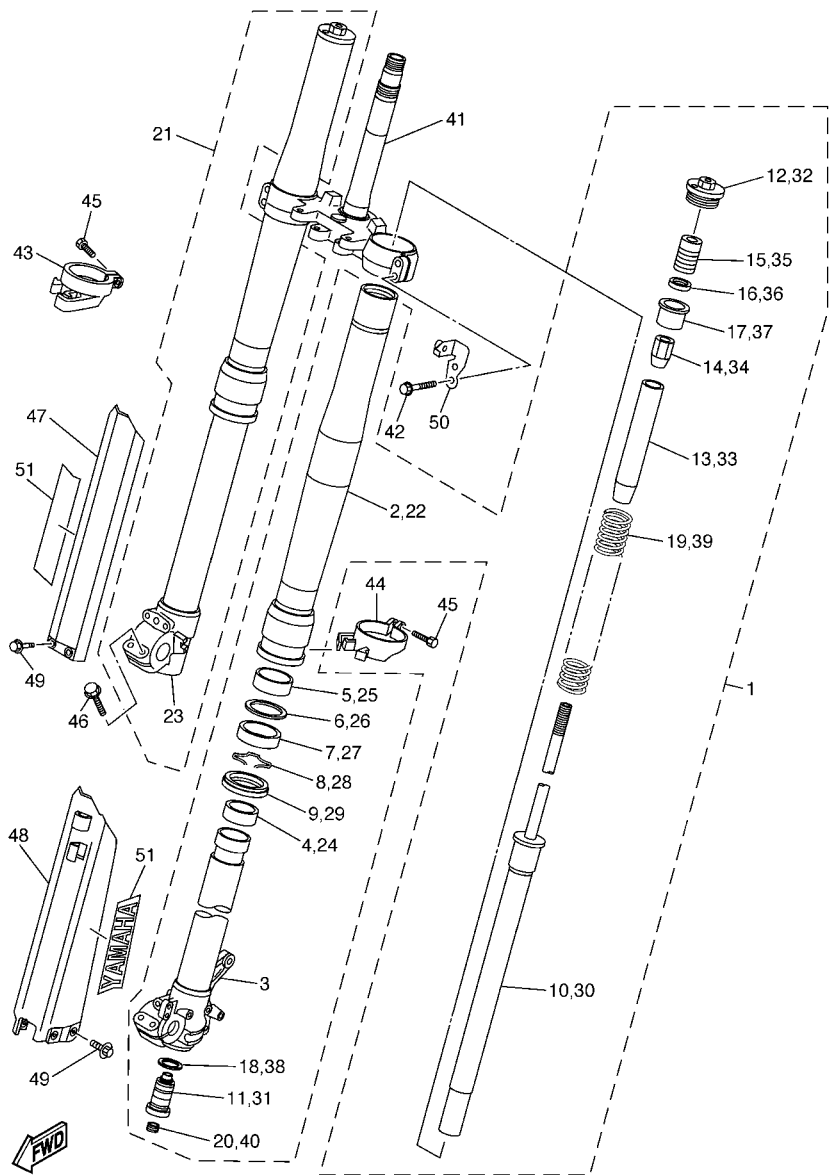
REF. NO.	PART NO.	DESCRIPTION	5UM5	5UM6	5UM7	REMARKS
1	5UM-23102-80	FRONT FORK ASSY (L.H)			1	FOR ZAF
2	5TJ-23136-50	.TUBE, OUTER (RIGHT)	1	1		
3	5DH-23120-L0	.INNER TUBE COMP.2	1	1	1	
4	5ET-23171-L0	.PISTON, FRONT FORK	1	1	1	
5	5TJ-23125-50	.METAL, SLIDE 1	1	1		
6	5UN-23146-L0	.WASHER, OIL SEAL	1	1	1	
7	5UN-23145-L0	.OIL SEAL	1	1	1	
8	4SS-23153-L0	.RING, SNAP	1	1	1	
9	5HD-23144-L0	.SEAL, DUST	1	1	1	
10	5TJ-23170-60	.CYLINDER COMP., FRONT FORK			1	FOR ZAF
11	5UM-2316A-60	.VALVE COMP.			1	FOR ZAF
12	5UN-23111-L0	.BOLT, CAP	1	1	1	
13	5DH-23142-L0	.SEAT, SPRING UPPER	1	1	1	
14	5HD-23393-L0	.NUT, SPECIAL	1	1	1	
15	5MV-23195-L0	.RUBBER	1	1	1	
16	5DH-23149-L0	.WASHER, SPRING UPPER	1	1	1	
17	5DH-23118-L0	.SPACER	1	1	1	
18	4SS-23158-L0	.GASKET	1	1	1	
19	4XL-23141-L0	.SPRING (K=4.22N/MM)			1	FOR ZAF



5UM5100-C260

FIG. 26 FRONT FORK

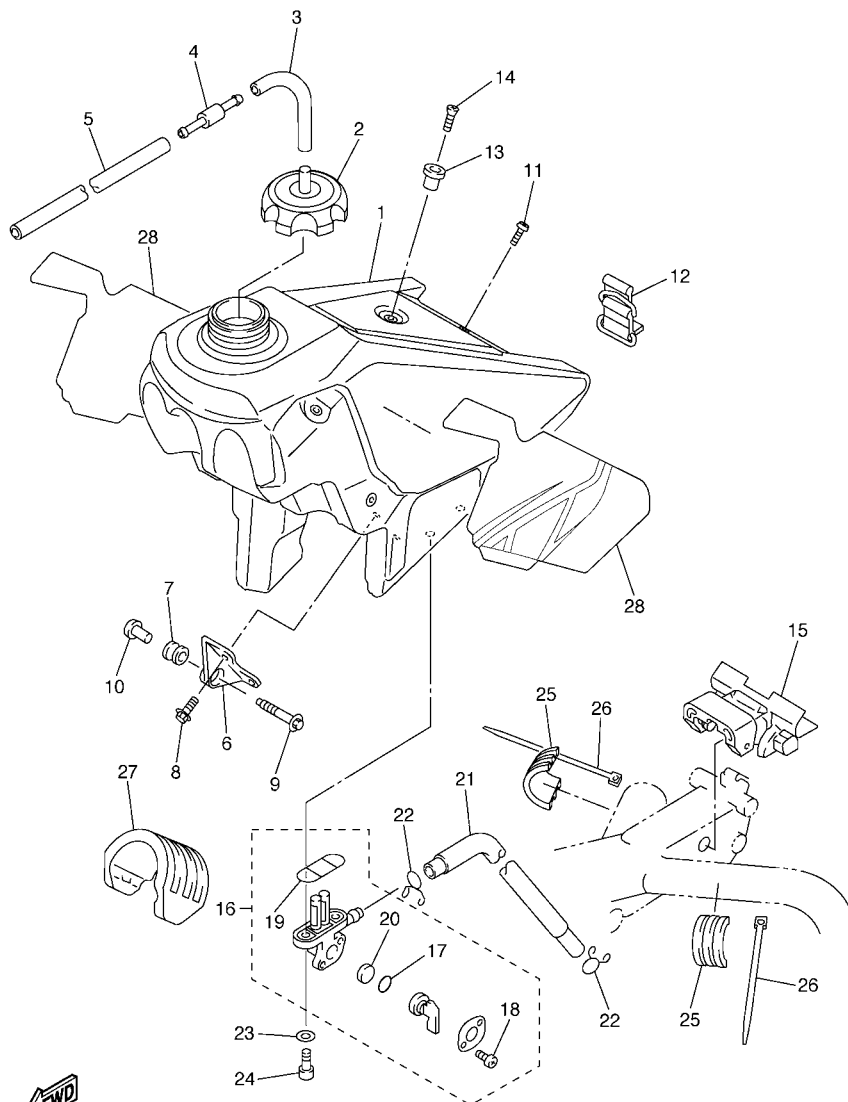
REF. NO.	PART NO.	DESCRIPTION	5UM5	5UM6	5UM7	REMARKS
20	3JD-2312G-L0	.PLUG	1	1	1	
21	5UM-23103-80	FRONT FORK ASSY (R.H)			1	FOR ZAF
22	5TJ-23136-50	.TUBE, OUTER (RIGHT)	1	1		
23	5BF-23110-L0	.INNER TUBE COMP.1	1	1	1	
24	5ET-23171-L0	.PISTON, FRONT FORK	1	1	1	
25	5TJ-23125-50	.METAL, SLIDE 1	1	1		
26	5UN-23146-L0	.WASHER, OIL SEAL	1	1	1	
27	5UN-23145-L0	.OIL SEAL	1	1	1	
28	4SS-23153-L0	.RING, SNAP	1	1	1	
29	5HD-23144-L0	.SEAL, DUST	1	1	1	
30	5TJ-23170-60	.CYLINDER COMP., FRONT FORK			1	FOR ZAF
31	5UM-2316A-60	.VALVE COMP.			1	FOR ZAF
32	5UN-23111-L0	.BOLT, CAP	1	1	1	
33	5DH-23142-L0	.SEAT, SPRING UPPER	1	1	1	
34	5HD-23393-L0	.NUT, SPECIAL	1	1	1	
35	5MV-23195-L0	.RUBBER	1	1	1	
36	5DH-23149-L0	.WASHER, SPRING UPPER	1	1	1	
37	5DH-23118-L0	.SPACER	1	1	1	
38	4SS-23158-L0	.GASKET	1	1	1	



5UM5100-C260

FIG. 26 FRONT FORK

REF. NO.	PART NO.	DESCRIPTION	5UM5	5UM6	5UM7	REMARKS
39	4XL-23141-L0	.SPRING (K=4.22N/MM)			1	FOR ZAF
40	3JD-2312G-L0	.PLUG	1	1	1	
41	5UL-23340-L0	UNDER BRACKET COMP.	1	1	1	
42	5NY-23346-L0	BOLT 1	4	4	4	
43	5XE-2314G-L0	PROTECTOR GUIDE COMP., 2	1	1	1	
44	5XE-2314F-L0	PROTECTOR GUIDE COMP., 1	1	1	1	
45	4SS-23346-L0	BOLT 1	2	2	2	
46	95027-08040	BOLT, FLANGE	4	4	4	
47	5TJ-2314J-00	PROTECTOR COMP., 2	1	1	1	
48	5TA-2314H-00	PROTECTOR COMP., 1	1	1	1	
49	3SP-23356-L0	BOLT 2	6	6	6	
50	5HC-2331E-00	GUIDE, CABLE	1	1	1	
51	4XL-2153A-10	EMBLEM, YAMAHA	2	2	2	

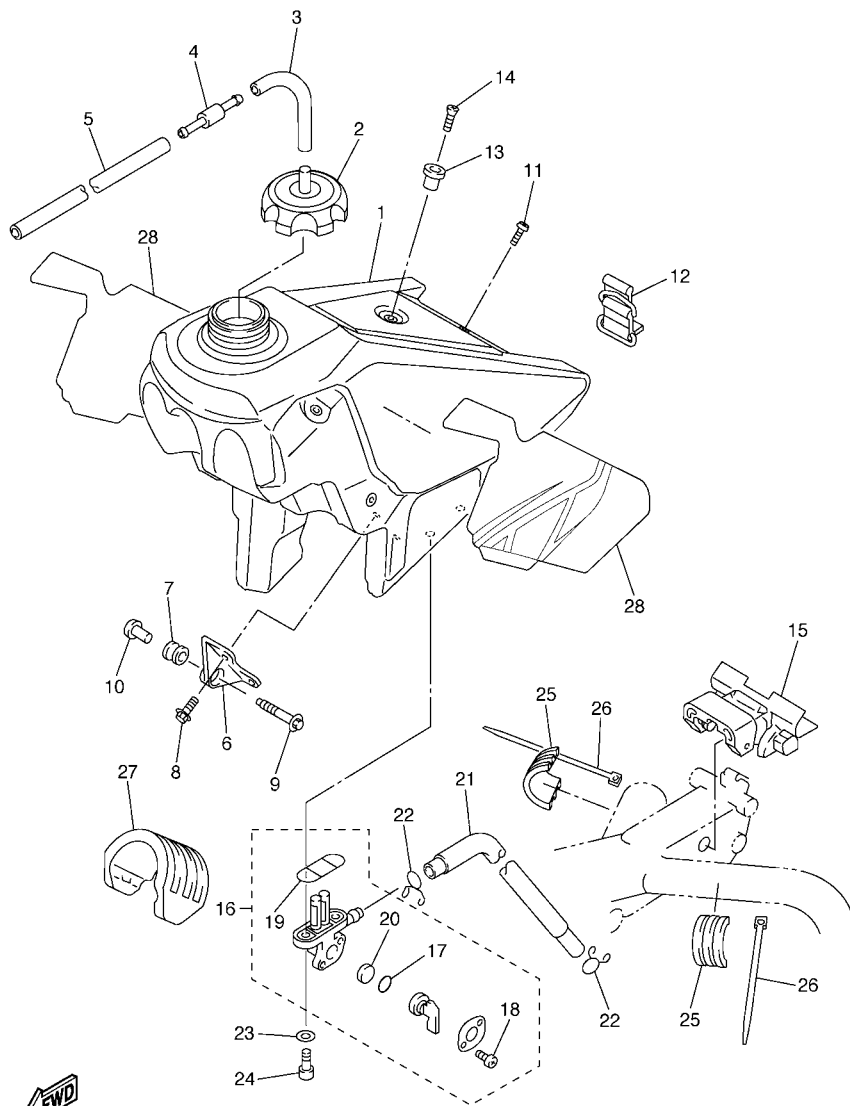


5TJ5100-C270

FIG. 27 FUEL TANK

REF. NO.	PART NO.	DESCRIPTION	SUM5	SUM6	SUM7	REMARKS
1	5TJ-24110-50	FUEL TANK COMP.	1	1	1	
2	5NY-24610-00	CAP ASSY	1	1	1	
3	90445-09220	HOSE (L30)	1	1	1	
4	3XJ-24380-00	PIPE JOINT ASSY	1	1	1	
5	90445-09100	HOSE	1	1	1	
6	5XE-24144-00	HOLDER, DAMPER	2	2	2	
7	90480-18549	GROMMET	2	2	2	
8	95027-06016	BOLT, FLANGE	4	4	4	
9	5XE-24176-00	BOLT 1	2	2	2	
10	5NY-24186-00	WASHER, SPECIAL	2	2	2	
11	98907-06025	SCREW, BIND	1	1	1	
12	5SF-24173-00	BAND, TANK FITTING 1	1	1	1	
13	4EW-2412F-00	BRACKET, SEAT	1	1	1	
14	98707-06025	SCREW, FLAT HEAD	1	1	1	
15	5TJ-24181-00	DAMPER, LOCATING 1	1	1	1	
16	2GU-24500-01	FUEL COCK ASSY 1	1	1	1	
17	3AJ-24534-00	.SEAL, COCK	1	1	1	
18	97801-03008	.SCREW, PAN HEAD	2	2	2	
19	4X8-24512-00	.O-RING	1	1	1	
20	3AJ-24523-00	.VALVE PACKING	1	1	1	
21	90445-11185	HOSE	1	1	1	
22	90467-10008	CLIP	2	2	2	
23	90202-05193	WASHER, PLATE	2	2	2	
24	90149-06011	SCREW	2	2	2	
25	5NY-24183-00	DAMPER, LOCATING 3	2	2	2	
26	90465-13152	CLAMP	2	2	2	
27	5BE-24182-00	DAMPER, LOCATING 2	1	1	1	

FIG. 27 FUEL TANK

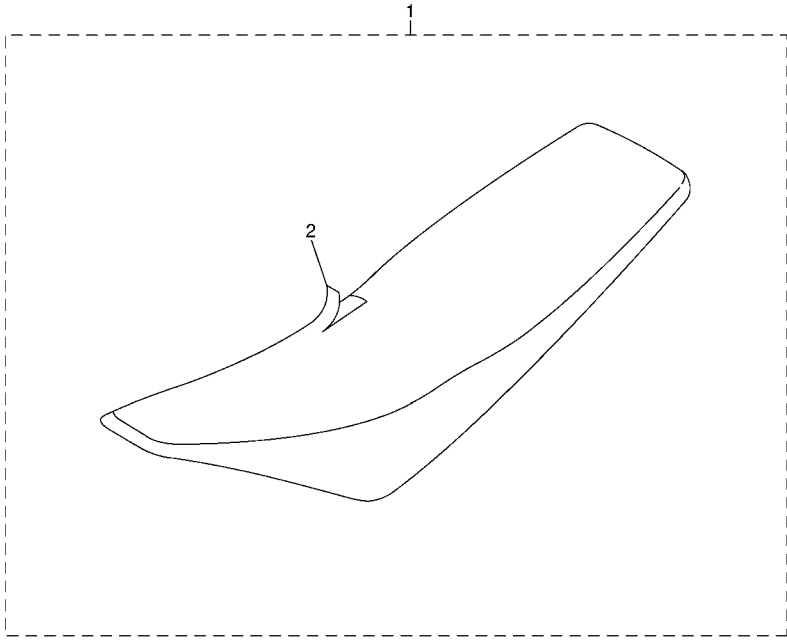


5TJ5100-C270

REF. NO.	PART NO.	DESCRIPTION	SUM5	SUM6	SUM7	REMARKS
28	5TJ-24240-10	GRAPHIC SET	1	1	1	

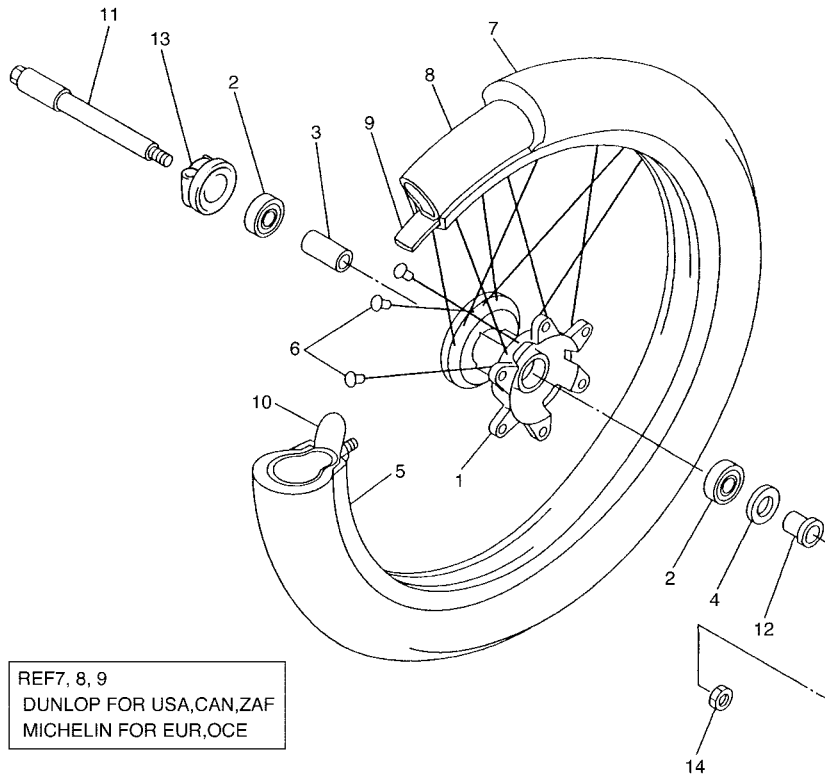
FIG. 28 SEAT

REF. NO.	PART NO.	DESCRIPTION	SUM5	SUM6	SUM7		REMARKS
1	5TJ-24710-50	SINGLE SEAT ASSY	1	1	1		
2	5TJ-2470F-50	.SEAT COVER COMP.	1	1	1		



5XD1100-C270

FIG. 29 FRONT WHEEL

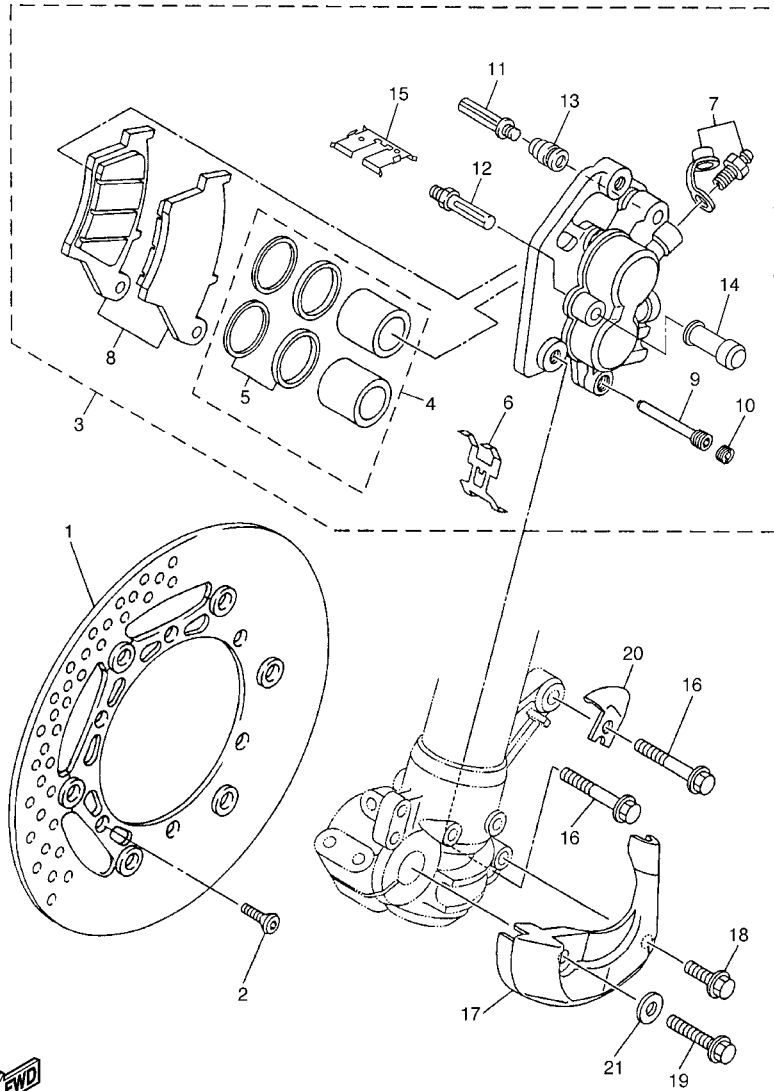


REF7, 8, 9
 DUNLOP FOR USA,CAN,ZAF
 MICHELIN FOR EUR,OCE

REF. NO.	PART NO.	DESCRIPTION	SUM5	SUM6	SUM7	REMARKS
1	5NG-25111-50	HUB, FRONT	1	1	1	
2	93306-90403	BEARING	2	2	2	
3	5NY-25117-00	SPACER, BEARING	1	1	1	
4	93102-26468	OIL SEAL	1	1	1	
5	94416-21005	RIM (1.60-21)	1	1	1	
6	5NY-25104-00	SPOKE SET, FRONT	1	1	1	
7	L.M.	TYRE (90/90-21)			1	
8	L.M.	TUBE (90/90-21)			1	
9	94309-21161	BAND, RIM (1.60-21)	1	1		
10	5SF-25394-00	SPACER, BEAD	1	1	1	
11	5BE-25181-00	AXLE, WHEEL	1	1	1	
12	5NY-25183-00	COLLAR, WHEEL	1	1	1	
13	5NG-25190-50	GEAR UNIT ASSY	1	1	1	
14	90179-16672	NUT	1	1	1	



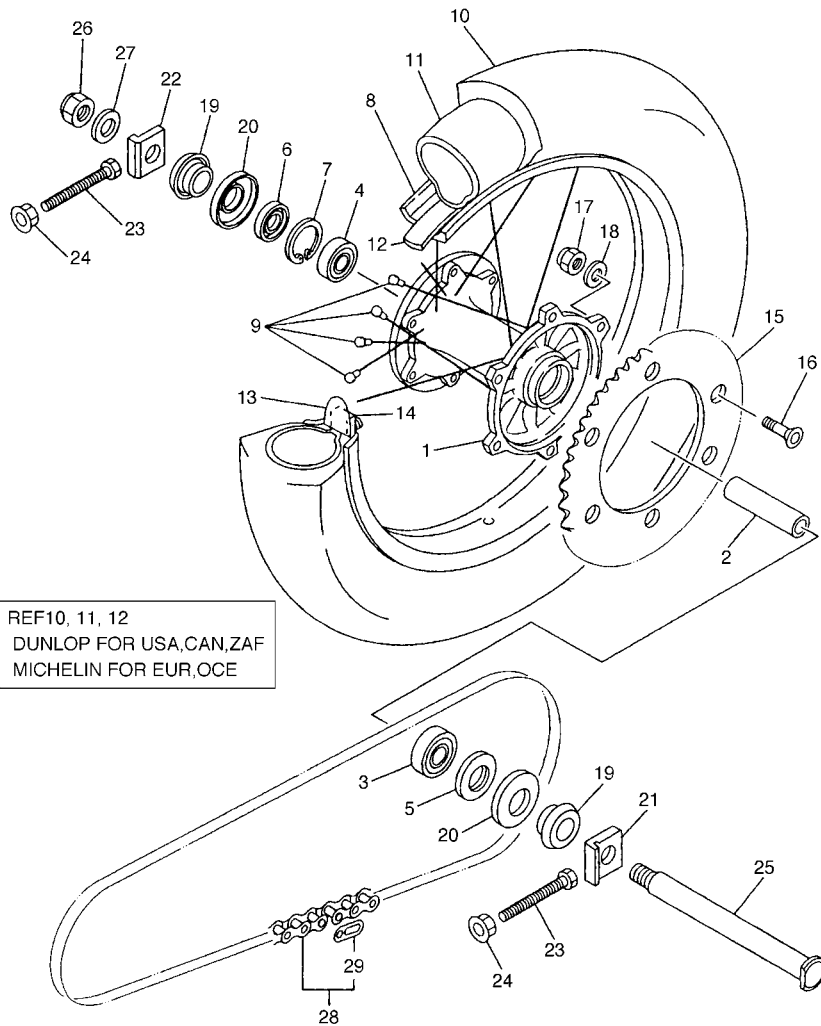
5TJ1100-B290



5XD1100-C290

FIG. 30 FRONT BRAKE CALIPER

REF. NO.	PART NO.	DESCRIPTION	SUM5	SUM6	SUM7	REMARKS
1	5MV-2581T-00	DISC BRAKE ASSY	1	1	1	
2	90149-06327	SCREW	6	6	6	
3	5UN-2580T-00	CALIPER ASSY (LEFT)	1	1	1	
4	5UN-W0057-00	.PISTON ASSY, CALIPER	1	1	1	
5	3JD-W0047-00	..CALIPER SEAL KIT	1	1	1	
6	5DH-25919-00	..SUPPORT, PAD	1	1	1	
7	1UY-W0048-50	.BLEED SCREW KIT	1	1	1	
8	5MV-W0045-01	.BRAKE PAD KIT	1	1	1	
9	5DH-25933-00	.PIN, PAD	1	1	1	
10	5DH-25916-00	.PLUG	1	1	1	
11	3SP-25926-51	.BOLT	1	1	1	
12	3SP-25914-51	.PIN, SLIDE	1	1	1	
13	3JD-25917-00	.BOOT, CALIPER	1	1	1	
14	1UY-25937-51	.BOOT 2	1	1	1	
15	5DH-25849-00	.RETAINER, CALIPER	1	1	1	
16	90105-08659	BOLT, FLANGE	2	2	2	
17	5DH-2314E-00	COVER, HOSE	1	1	1	
18	95827-06012	BOLT, FLANGE	1	1	1	
19	95027-08020	BOLT, FLANGE	1	1	1	
20	5DH-25875-00	HOLDER, BRAKE HOSE 1	1	1	1	
21	92907-08200	WASHER	1	1	1	



REF10, 11, 12
 DUNLOP FOR USA,CAN,ZAF
 MICHELIN FOR EUR,OCE

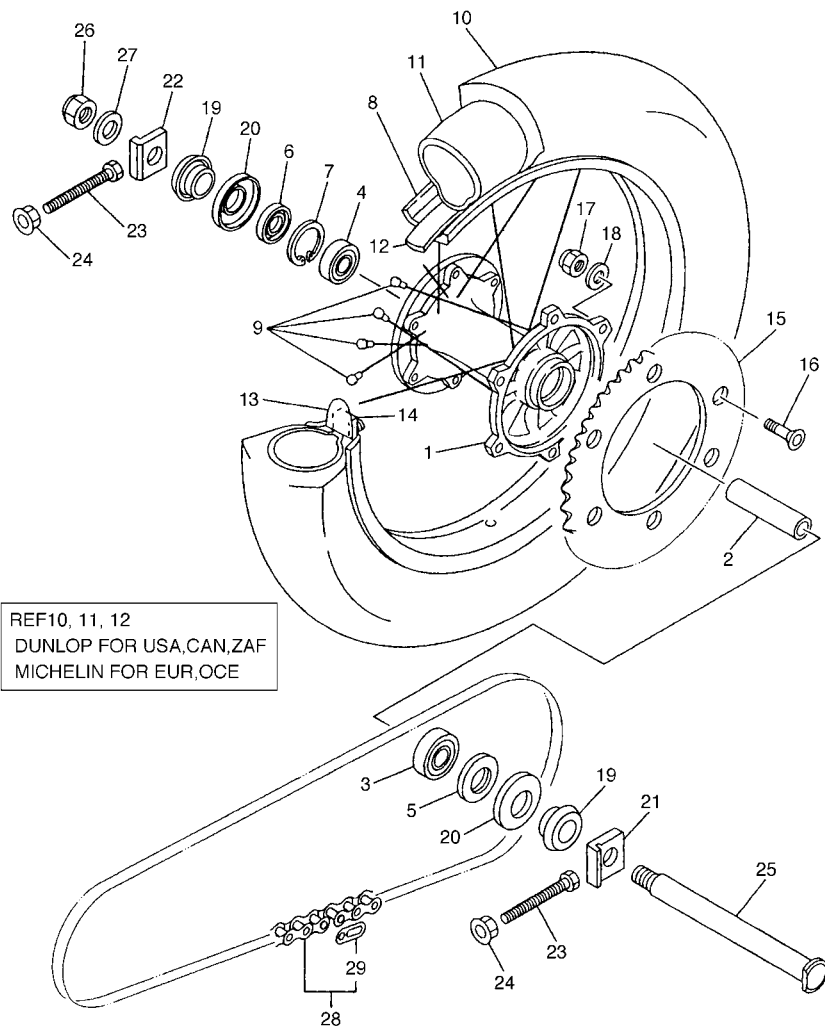


5TJ5100-C310

FIG. 31 REAR WHEEL

REF. NO.	PART NO.	DESCRIPTION	SUM5	SUM6	SUM7	REMARKS
1	5ET-25311-00	HUB, REAR	1	1	1	
2	5ET-25317-00	SPACER, BEARING	1	1	1	
3	93306-27205	BEARING	1	1	1	
4	93306-07202	BEARING	1	1	1	
5	93106-30001	OIL SEAL	1	1	1	
6	93106-30045	OIL SEAL	1	1	1	
7	99009-45500	CIRCLIP	1	1	1	
8	94418-18006	RIM (1.85-18)	1	1	1	UR ZAF
9	5GS-25304-00	SPOKE SET, REAR	1	1	1	
10	L.M.	TYRE (100/100-18)			1	
11	L.M.	TUBE (100/100-18)			1	
12	94309-18146	BAND, RIM (2.15-18)	1	1	1	
13	4XM-25394-00	SPACER, BEAD	2	2	2	UR FOR CAN,ZAF
14	4XM-25364-00	DAMPER	2	2	2	
15	5GS-25452-50	SPROCKET, DRIVEN (52T)	1	1	1	STD FOR ZAF
	5GS-25448-50	SPROCKET, DRIVEN (48T)	1	1	1	
	5NY-25449-00	SPROCKET, DRIVEN (49T)			1	
	5GS-25450-50	SPROCKET, DRIVEN (50T)	1	1	1	
	5NY-25451-00	SPROCKET, DRIVEN (51T)			1	AP FOR OCE

FIG. 31 REAR WHEEL

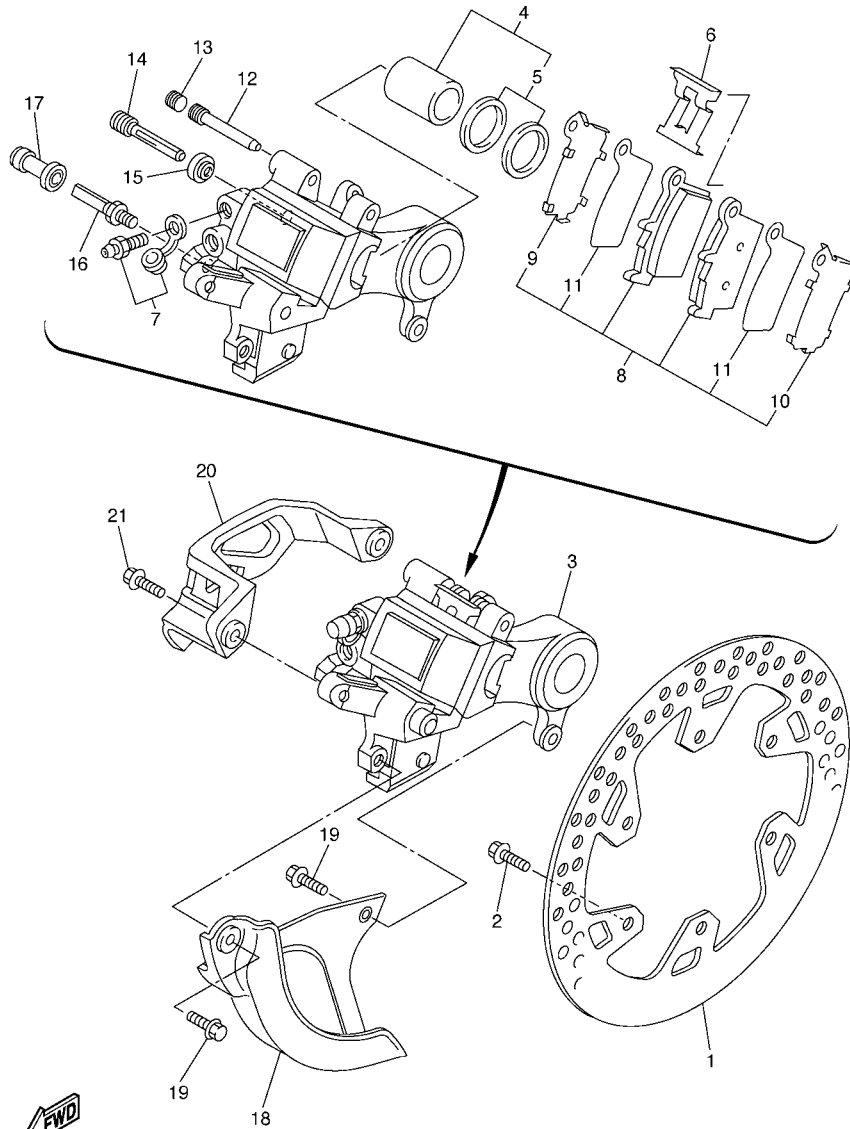


REF10, 11, 12
 DUNLOP FOR USA,CAN,ZAF
 MICHELIN FOR EUR,OCE



5TJ5100-C310

REF. NO.	PART NO.	DESCRIPTION	SUM5	SUM6	SUM7	REMARKS
15	5PH-25454-50	SPROCKET, DRIVEN (54T)	1	1	1	AP
16	90109-081G1	BOLT	6	6	6	
17	90185-08169	NUT, SELF-LOCKING	6	6	6	
18	90201-08326	WASHER, PLATE	6	6	6	
19	5TJ-25383-50	COLLAR, WHEEL	2	2	2	
20	5ET-25367-00	COVER, HUB DUST	2	2	2	
21	5NY-25388-00	PULLER, CHAIN 1	1	1	1	
22	5NY-25389-00	PULLER, CHAIN 2	1	1	1	
23	90101-08777	BOLT	2	2	2	
24	90179-08299	NUT	2	2	2	
25	5ET-25381-00	AXLE, WHEEL	1	1	1	
26	90185-20168	NUT, SELF-LOCKING	1	1	1	
27	90201-203U1	WASHER, PLATE	1	1	1	
28	9Y58A-76113	CHAIN (DID 520VM-114LL)	1	1	1	
29	94681-76021	.JOINT, CHAIN	1	1	1	

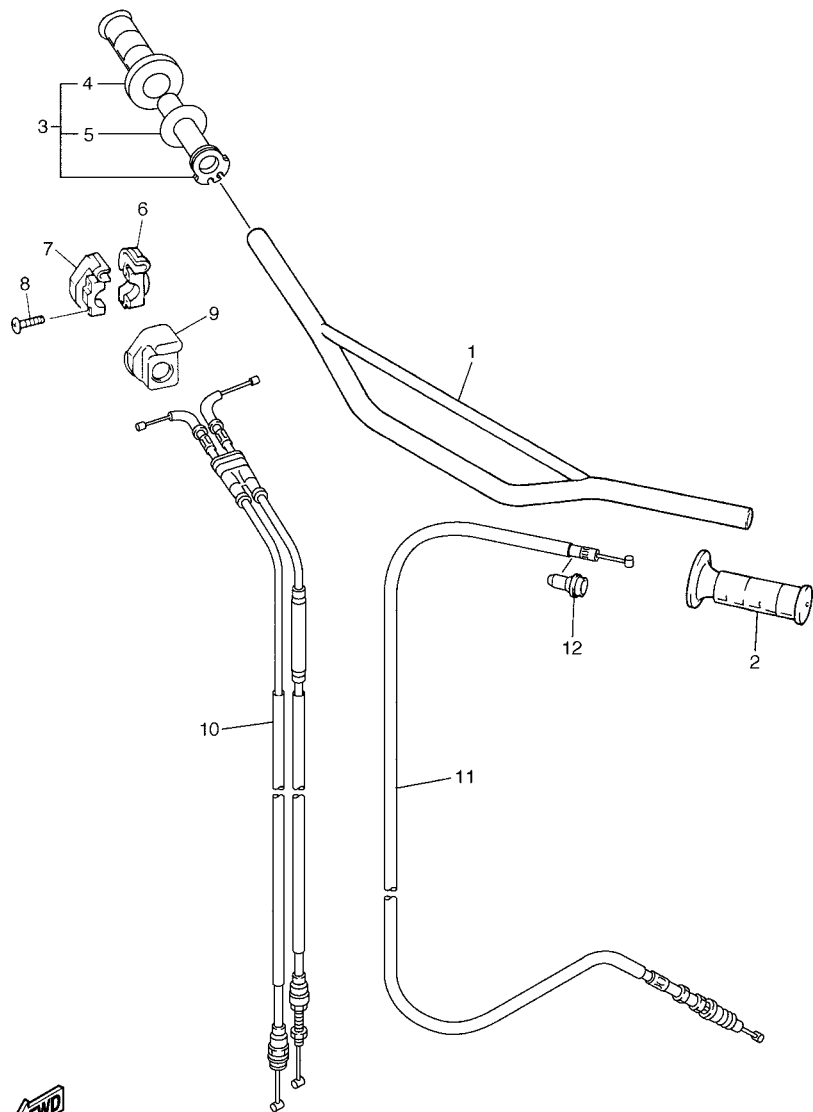


5XD1100-C310

FIG. 32 REAR BRAKE CALIPER

REF. NO.	PART NO.	DESCRIPTION	SUM5	SUM6	SUM7	REMARKS
1	5NY-2582W-00	DISK, REAR BRAKE 2	1	1	1	
2	90109-065G4	BOLT	6	6	6	
3	5UN-2580W-10	CALIPER ASSY, REAR 2	1	1	1	
4	5UN-W0057-50	.PISTON ASSY, CALIPER	1	1	1	
5	5UN-W0047-50	..CALIPER SEAL KIT	1	1	1	
6	5DH-25919-50	..SUPPORT, PAD	1	1	1	
7	1UY-W0048-50	.BLEED SCREW KIT	1	1	1	
8	5UN-W0046-51	.BRAKE PAD KIT 2	1	1	1	
9	5UN-25828-60	..SHIM, CALIPER	1	1	1	
10	5UN-25827-60	..SHIM, CALIPER	1	1	1	
11	5UN-22898-60	..INSULATOR, HEAT	2	2	2	
12	8CR-25924-00	.PIN, PAD	1	1	1	
13	5DH-25916-00	.PLUG	1	1	1	
14	5DH-25914-50	.PIN, SLIDE	1	1	1	
15	3JD-25917-00	.BOOT, CALIPER	1	1	1	
16	5UN-25914-00	.PIN, SLIDE	1	1	1	
17	1UY-25937-51	.BOOT 2	1	1	1	
18	5DH-25718-01	PROTECTOR, DISK BRAKE	1	1	1	
19	95027-06012	BOLT, FLANGE	2	2	2	
20	5TA-27491-00	PROTECTOR	1	1	1	
21	95027-06016	BOLT, FLANGE	2	2	2	

FIG. 33 STEERING HANDLE & CABLE



5UM1100-B330

REF. NO.	PART NO.	DESCRIPTION	5UM5	5UM6	5UM7	REMARKS
1	4XM-26111-00	HANDLEBAR	1	1	1	
2	4GY-26241-00	GRIP	1	1	1	
3	5BE-26240-00	GRIP ASSY	1	1	1	
4	4GY-26242-00	.GRIP (RIGHT)	1	1	1	
5	3Y1-26249-00	.RING, LEAF	1	1	1	
6	5BE-26281-00	CAP, GRIP UPPER	1	1	1	
7	5BE-26282-00	CAP, GRIP LOWER	1	1	1	
8	98507-05020	SCREW, PAN HEAD	2	2	2	
9	5SF-26287-00	COVER, CAP GRIP	1	1	1	
10	5XD-26302-00	THROTTLE CABLE ASSY	1	1	1	
11	5UM-26335-00	CABLE, CLUTCH	1	1	1	
12	5HD-26342-00	BOOT, CABLE	1	1	1	

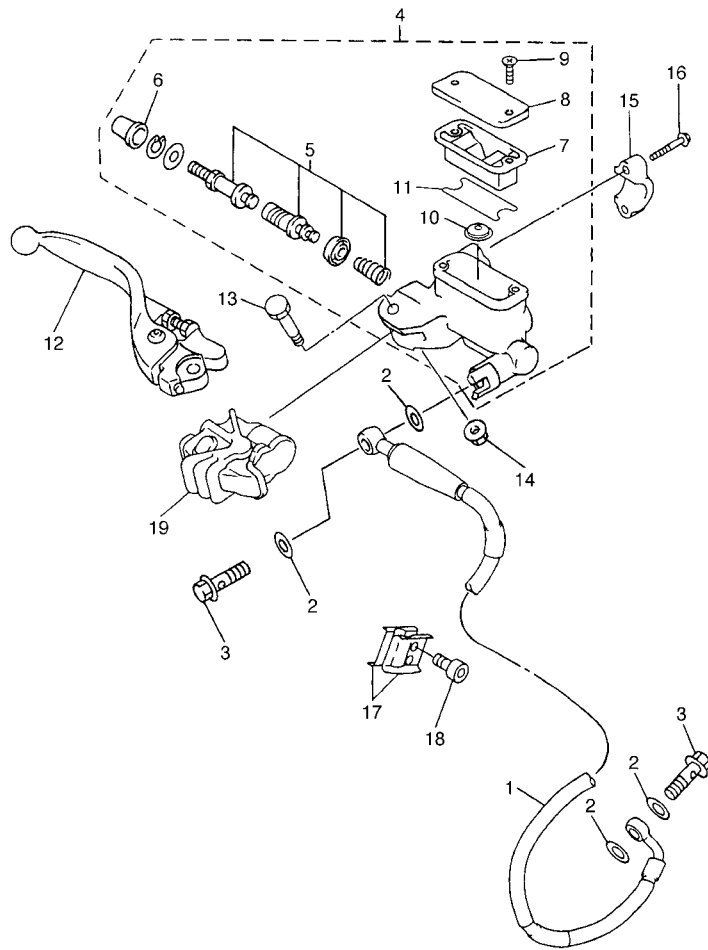


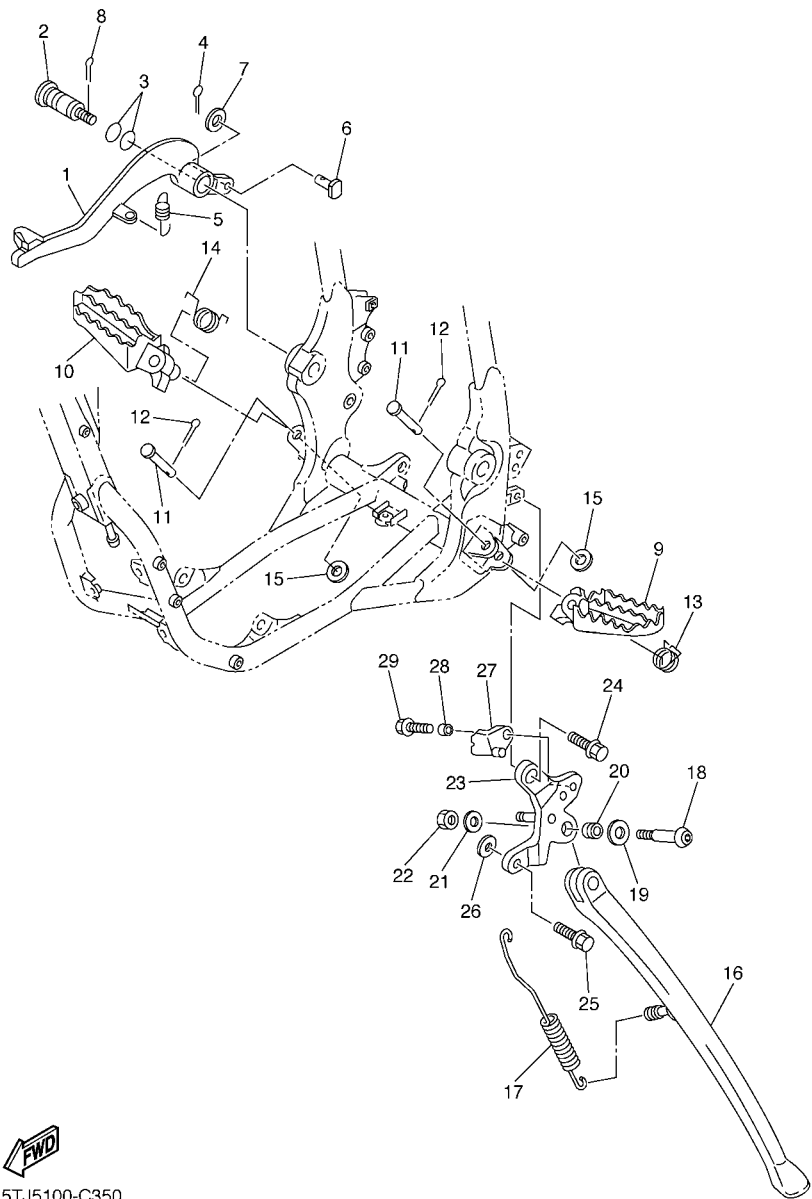
FIG. 34 FRONT MASTER CYLINDER

REF. NO.	PART NO.	DESCRIPTION	SUM5	SUM6	SUM7	REMARKS
1	5TJ-25872-00	HOSE, BRAKE 1	1	1	1	
2	90201-10118	WASHER, PLATE	4	4	4	
3	90401-10172	BOLT, UNION	2	2	2	
4	5XE-W2587-00	MASTER CYLINDER SUB ASSY	1	1	1	
5	5NY-W0041-00	.CYLINDER KIT, MASTER	1	1	1	
6	5NY-25868-00	.BOOT, MASTER CYLINDER	1	1	1	
7	5XE-25854-00	.DIAPHRAGM, RESERVOIR	1	1	1	
8	5MV-25852-01	.CAP, RESERVOIR	1	1	1	
9	98706-04012	.SCREW, FLAT HEAD	2	2	2	
10	5CG-25715-00	.SEPARATOR ASSY	1	1	1	
11	5XE-25853-00	.FLOAT, RESERVOIR	1	1	1	
12	5MV-83922-00	LEVER 2	1	1	1	
13	5MV-2589F-00	BOLT, LEVER	1	1	1	
14	95701-06500	NUT, FLANGE	1	1	1	
15	5MV-25867-00	BRACKET, MASTER CYLINDER	1	1	1	
16	5MV-25833-00	BOLT, FITTING	2	2	2	
17	90465-16258	CLAMP	2	2	2	
18	91317-06014	BOLT	2	2	2	
19	5NY-26372-00	COVER, HANDLE LEVER 1	1	1	1	



5XD1100-C330

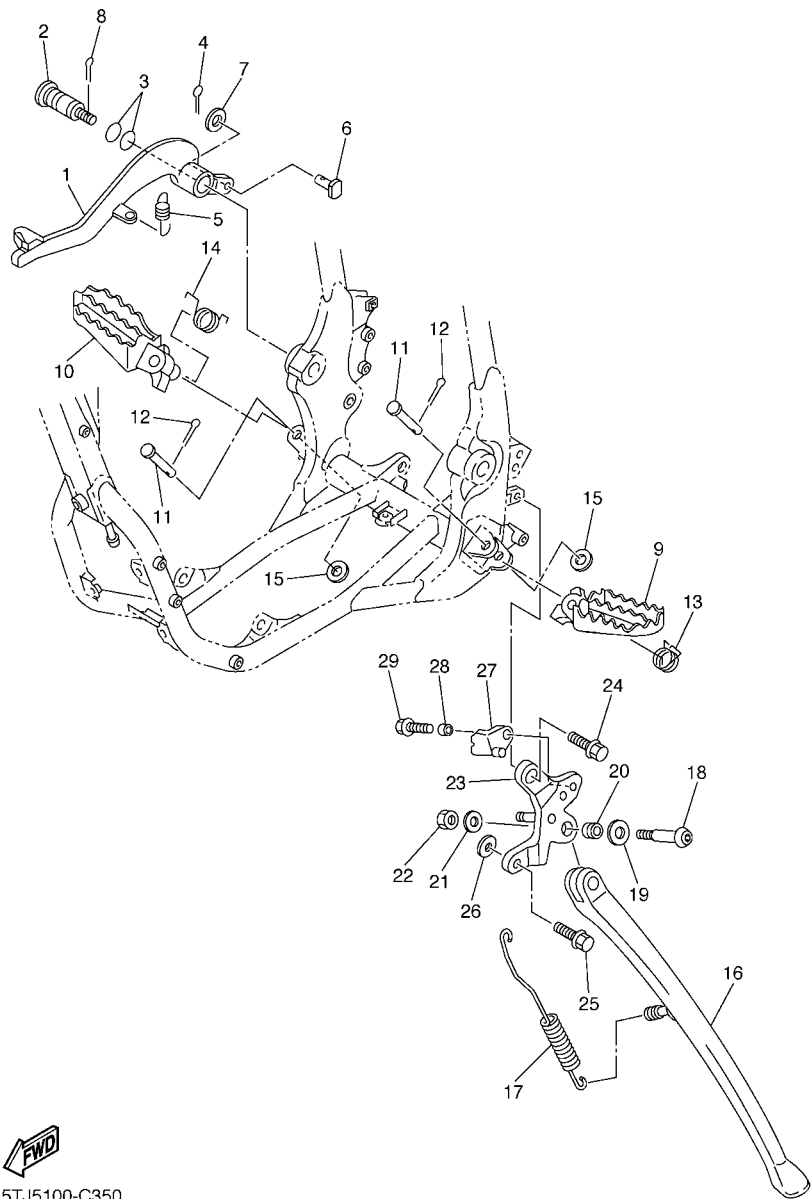
FIG. 35 STAND & FOOTREST



5TJ5100-C350

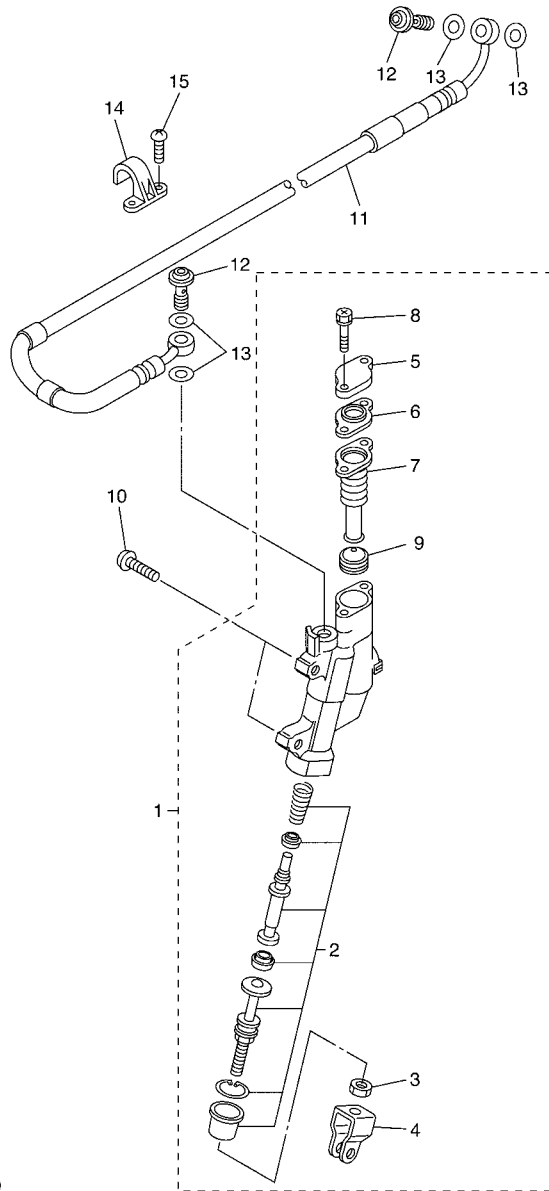
REF. NO.	PART NO.	DESCRIPTION	SUM5	SUM6	SUM7	REMARKS
1	4XM-27200-00	PEDAL, BRAKE	1	1	1	
2	5JG-27217-00	BOLT	1	1	1	
3	93210-11073	O-RING	2	2	2	
4	91401-20012	PIN, COTTER	1	1	1	
5	90506-16500	SPRING, TENSION	1	1	1	
6	90240-08120	PIN, CLEVIS	1	1	1	
7	90201-08089	WASHER, PLATE	1	1	1	
8	90468-16191	CLIP	1	1	1	
9	5ET-27411-00	FOOTREST 1	1	1	1	
10	5ET-27421-00	FOOTREST 2	1	1	1	
11	90240-10142	PIN, CLEVIS	2	2	2	
12	91401-25015	PIN, COTTER	2	2	2	
13	90508-282B8	SPRING, TORSION	1	1	1	
14	90508-282B9	SPRING, TORSION	1	1	1	
15	90201-10119	WASHER, PLATE	2	2	2	
16	5TJ-27311-50	STAND, SIDE	1	1	1	
17	90506-30002	SPRING, TENSION	1	1	1	
18	90109-08051	BOLT	1	1	1	
19	92990-10200	WASHER, PLAIN	1	1	1	
20	90387-1003G	COLLAR	1	1	1	
21	92990-08200	WASHER, PLAIN	1	1	1	
22	90185-08055	NUT, SELF-LOCKING	1	1	1	
23	5TJ-21458-50	BRACKET, SIDE STAND	1	1	1	
24	95027-10020	BOLT, FLANGE	1	1	1	
25	95027-10030	BOLT, FLANGE	1	1	1	
26	90387-10019	COLLAR	1	1	1	
27	5TJ-27314-50	STOPPER	1	1	1	

FIG. 35 STAND & FOOTREST



5TJ5100-C350

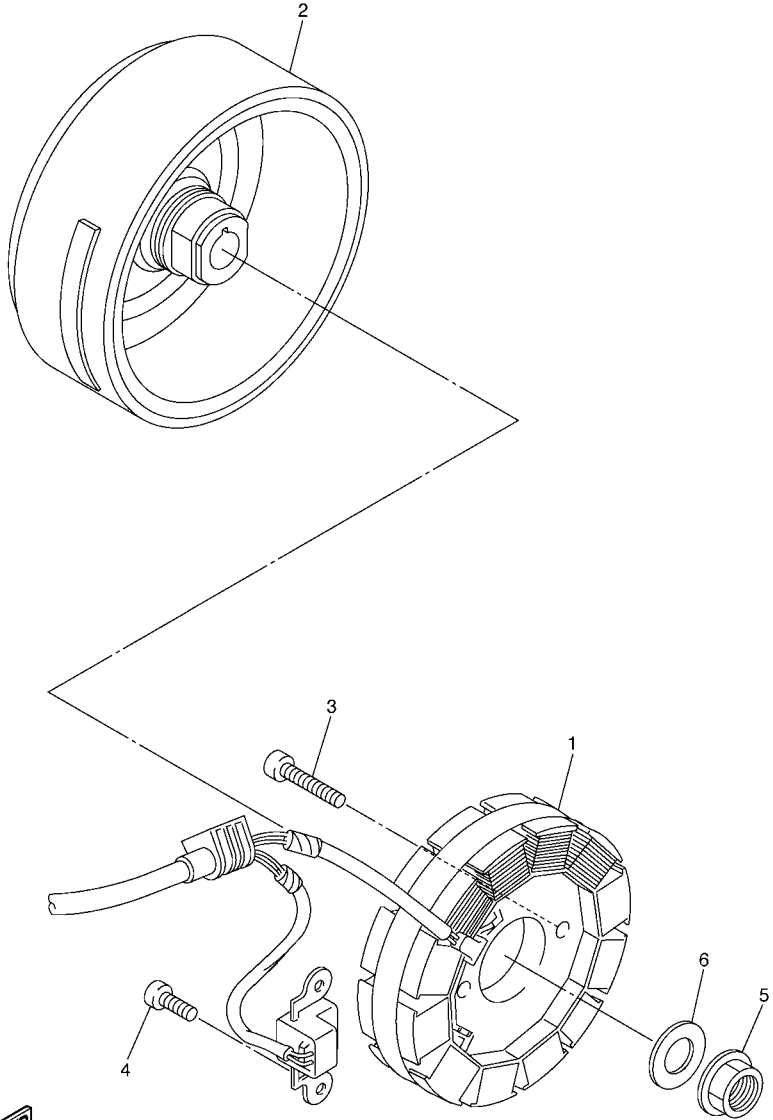
REF. NO.	PART NO.	DESCRIPTION	SUM5	SUM6	SUM7	REMARKS
28	90387-06M24	COLLAR	1	1	1	
29	95807-06016	BOLT, FLANGE	1	1	1	



5TA1100-B350

FIG. 36 REAR MASTER CYLINDER

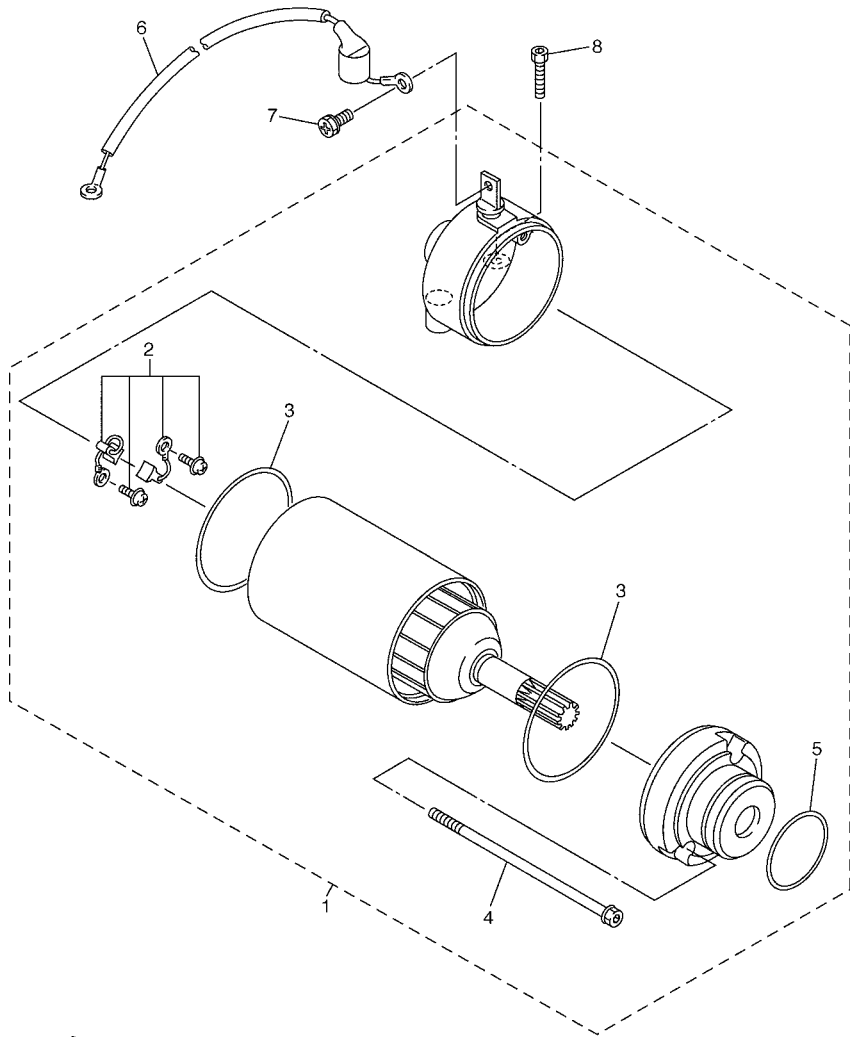
REF. NO.	PART NO.	DESCRIPTION	SUM5	SUM6	SUM7	REMARKS
1	5UN-2583V-00	RR. MASTER CYLINDER ASSY.	1	1	1	
2	5UN-W0042-50	.CYLINDER KIT, MASTER	1	1	1	
3	5UN-27218-00	.NUT	1	1	1	
4	5UN-27222-00	.JOINT	1	1	1	
5	5UN-25852-50	.CAP, RESERVOIR	1	1	1	
6	5UN-2585B-00	.PLATE, DIAPHRAGM	1	1	1	
7	5UN-25854-00	.DIAPHRAGM, RESERVOIR	1	1	1	
8	5UN-27217-00	.BOLT	2	2	2	
9	5CG-25715-00	.SEPARATOR ASSY	1	1	1	
10	90111-06029	BOLT	2	2	2	
11	5UN-25873-00	HOSE, BRAKE 2	1	1	1	
12	90401-10172	BOLT, UNION	2	2	2	
13	90201-10118	WASHER, PLATE	4	4	4	
14	2VM-25876-00	HOLDER, BRAKE HOSE 2	2	2	2	
15	98507-05010	SCREW, PAN HEAD	4	4	4	



5UM5100-C370

FIG. 37 GENERATOR

REF. NO.	PART NO.	DESCRIPTION	5UM5	5UM6	5UM7	REMARKS
1	5UM-81410-00	STATOR ASSY	1	1	1	
2	5UM-81450-00	ROTOR ASSY	1	1	1	
3	91317-05020	BOLT	2	2	2	
4	91317-06014	BOLT	2	2	2	
5	90179-12657	NUT	1	1	1	
6	90201-12020	WASHER, PLATE	1	1	1	

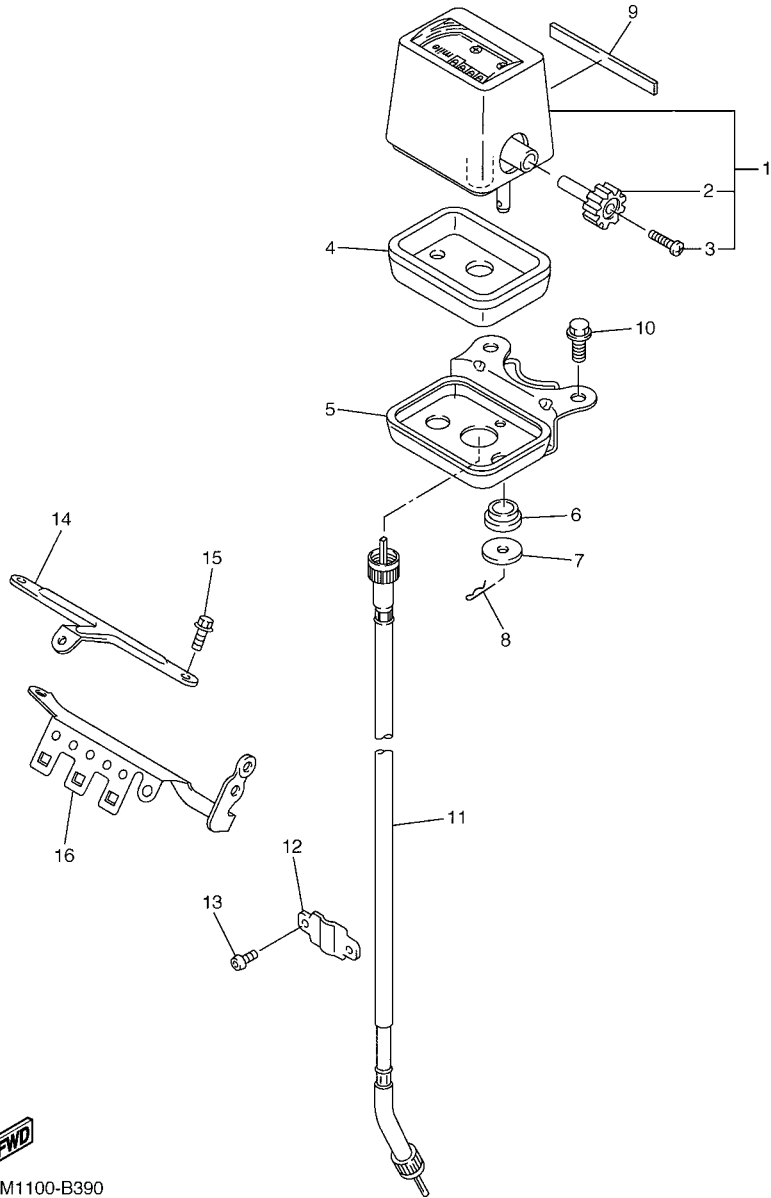


5UM5100-C380

FIG. 38 STARTING MOTOR

REF. NO.	PART NO.	DESCRIPTION	5UM5	5UM6	5UM7	REMARKS
1	5UM-81890-00	MOTOR ASSY	1	1	1	
2	5UM-81801-00	.BRUSH SET	1	1	1	
3	5UM-81861-00	.GASKET	2	2	2	
4	5UM-81828-00	.BOLT 2	2	2	2	
5	93210-25711	.O-RING	1	1	1	
6	5UM-8183G-00	CORD COMP.	1	1	1	
7	5JJ-81828-00	BOLT 2	1	1	1	
8	91317-06025	BOLT	2	2	2	

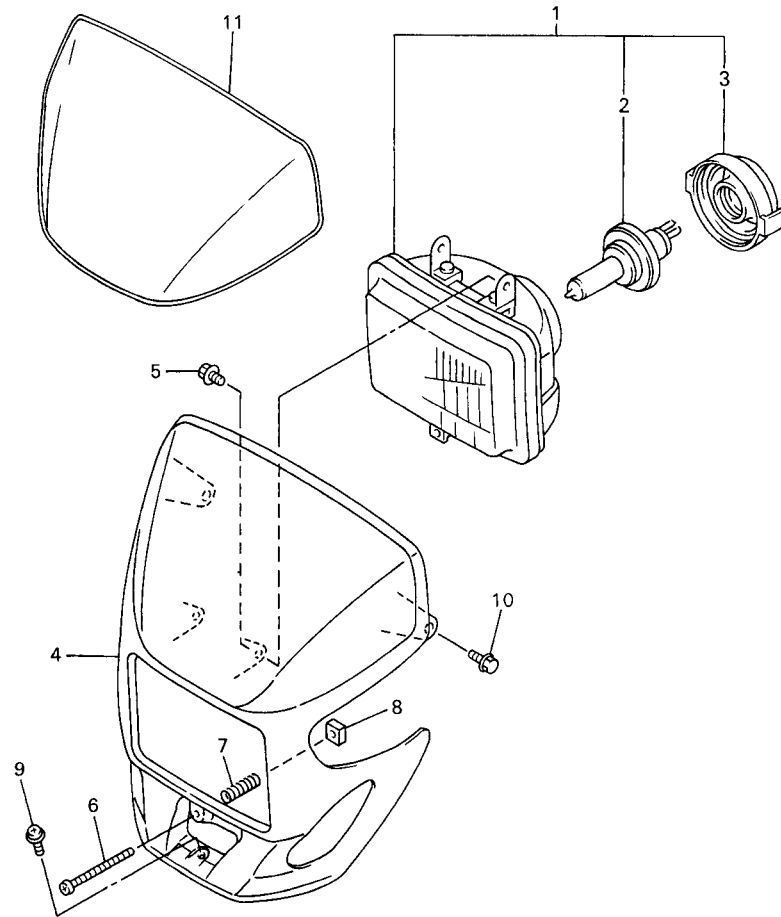
FIG. 39 METER



5UM1100-B390

REF. NO.	PART NO.	DESCRIPTION	5UM5	5UM6	5UM7	REMARKS
1	5TJ-8355W-00	TRIP METER COMP. (KM/H)			1	
2	1AE-83578-00	.KNOB, TRIP METER	1	1	1	
3	90157-02031	.SCREW, PAN HEAD	1	1	1	
4	4V5-83513-00	DAMPER	1	1	1	
5	5NG-83519-00	BRACKET, METER	1	1	1	
6	1M1-83526-00	DAMPER 2	2	2	2	
7	90201-05033	WASHER, PLATE	2	2	2	
8	437-83525-00	CLIP	2	2	2	
9	2HR-83592-00	DAMPER	1	1	1	
10	95027-06010	BOLT, FLANGE	2	2	2	
11	5BF-83550-00	SPEEDOMETER CABLE ASSY	1	1	1	
12	5BF-2317M-00	STAY 3	1	1	1	
13	92017-05008	BOLT, BUTTON HEAD	2	2	2	
14	5PH-84319-50	STAY, HEADLIGHT 2	1	1	1	
15	95027-08012	BOLT, FLANGE	2	2	2	
16	5TJ-8350E-00	BRACKET	1	1	1	

FIG. 40 HEADLIGHT



5NG1100-1380

REF. NO.	PART NO.	DESCRIPTION	SUM5	SUM6	SUM7	REMARKS
1	5BF-84310-01	HEADLIGHT UNIT ASSY	1	1	1	
2	8G9-84314-00	.BULB (12V-60/55W)	1	1	1	(H4)HALOGEN
3	5BF-84397-00	.COVER, SOCKET	1	1	1	
4	5BF-84330-01	BODY ASSY	1	1	1	
5	55U-84337-00	BOLT, SPECIAL	2	2	2	
6	5BF-8433E-00	SCREW, ADJUSTING	1	1	1	
7	5BF-84335-00	SPRING	1	1	1	
8	5BF-84334-00	NUT, ADJUSTING	1	1	1	
9	90159-06189	SCREW, WITH WASHER	1	1	1	
10	95827-06010	BOLT, FLANGE	2	2	2	
11	5BF-2339E-00	GRAPHIC 1	1	1	1	

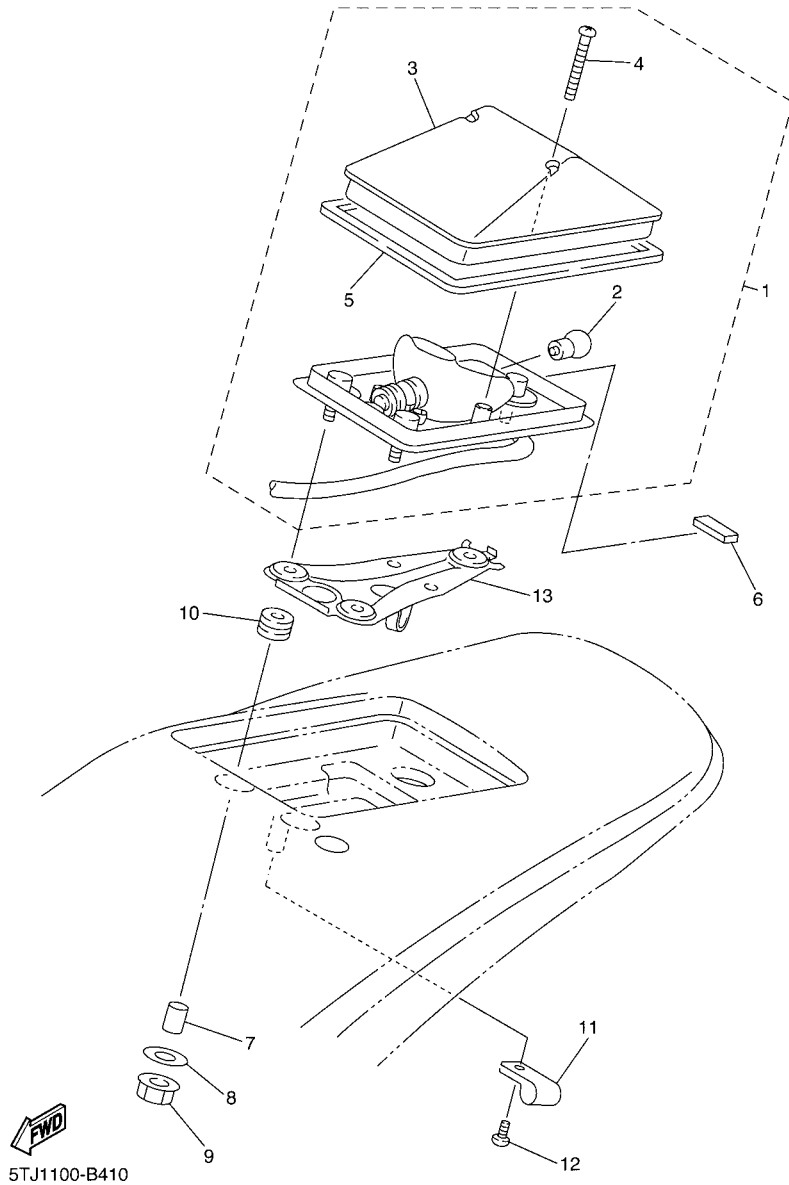


FIG. 41 TAILLIGHT

REF. NO.	PART NO.	DESCRIPTION	SUM5	SUM6	SUM7	REMARKS
1	5TJ-84710-00	TAILLIGHT UNIT ASSY	1	1	1	
2	36Y-84714-40	.BULB, TAILLIGHT (12V-21/5W)	1	1	1	
3	4GY-84733-00	.LENS, TAILLIGHT	1	1	1	
4	97706-40530	.SCREW, TAPPING	2	2	2	
5	4GY-84723-00	.GASKET, TAIL LENS	1	1	1	
6	1HX-27415-00	PLATE, DAMPER	1	1	1	
7	90387-065L5	COLLAR	3	3	3	
8	90201-06057	WASHER, PLATE	3	3	3	
9	95707-06500	NUT, FLANGE	3	3	3	
10	90480-14102	GROMMET	3	3	3	
11	90461-11099	CLAMP	2	2	2	
12	97780-40010	SCREW, TAPPING	2	2	2	
13	5TJ-21677-00	PLATE, FITTING 3	1	1	1	

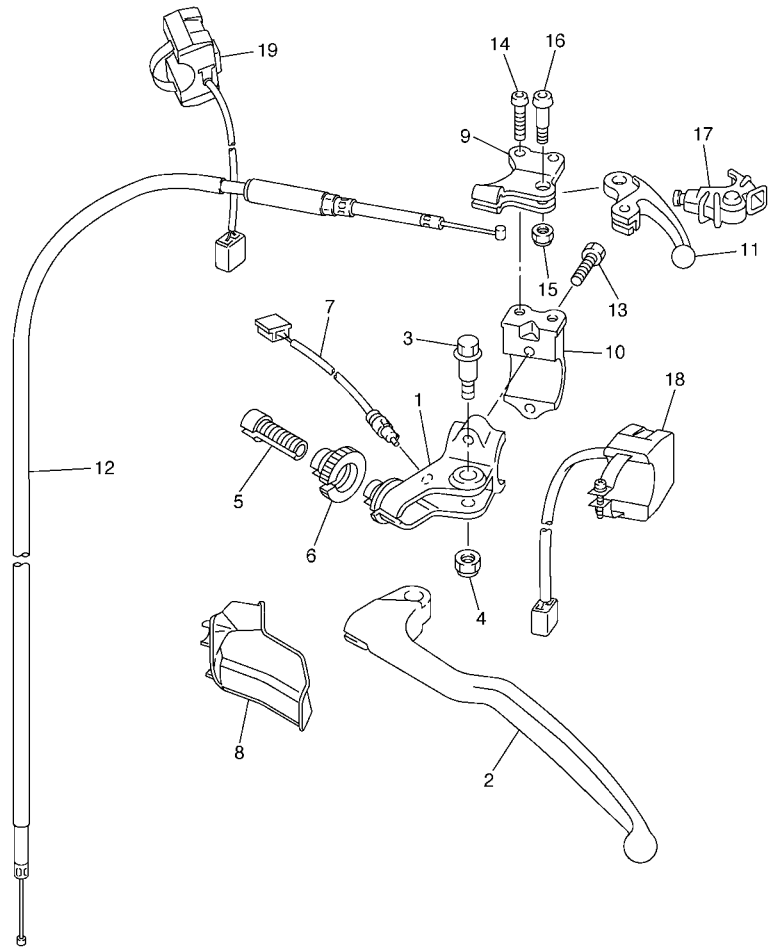
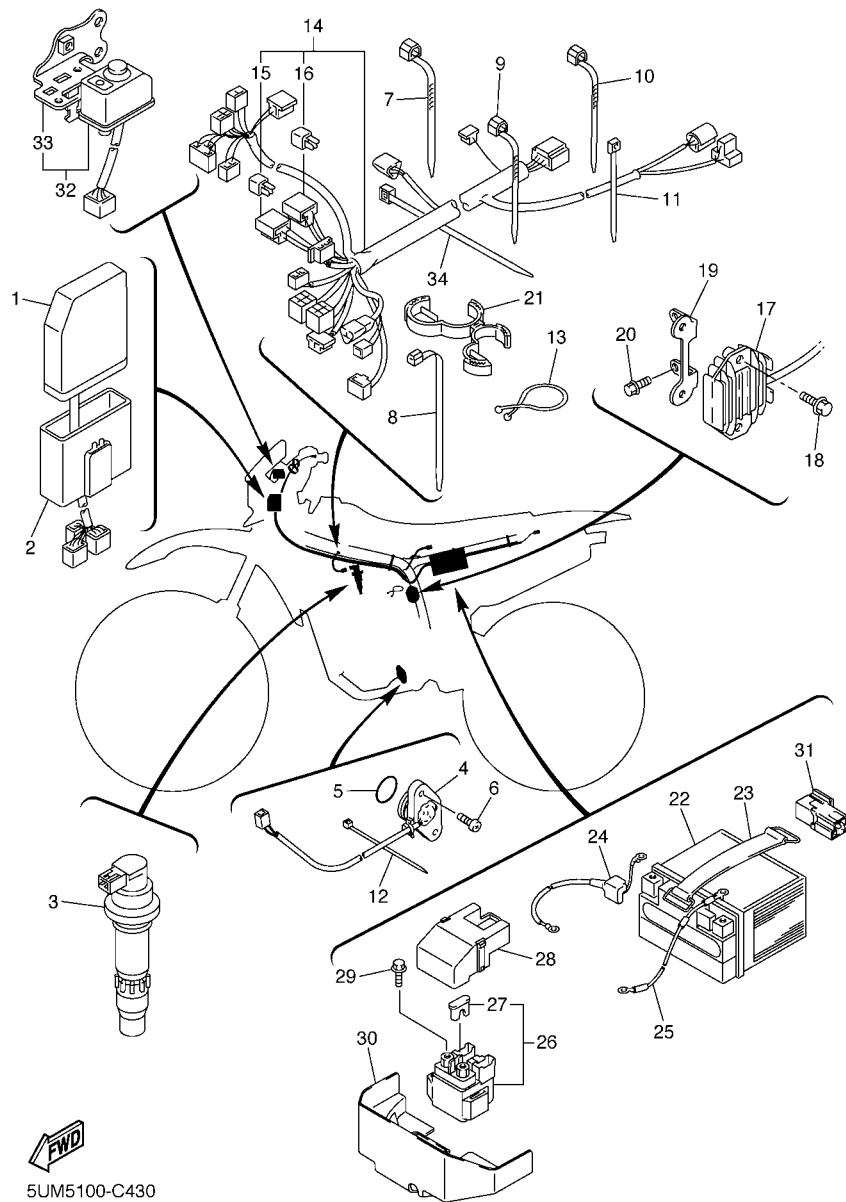


FIG. 42 HANDLE SWITCH & LEVER

REF. NO.	PART NO.	DESCRIPTION	SUM5	SUM6	SUM7	REMARKS
1	5TJ-82911-50	HOLDER, LEVER 1	1	1	1	
2	5TJ-83912-00	LEVER 1	1	1	1	
3	90109-06034	BOLT	1	1	1	
4	5LP-84126-10	NUT, LENS FITTING	1	1	1	
5	5TA-26337-00	BOLT, ADJUSTING	1	1	1	
6	5HD-83951-00	BOLT, CABLE ADJUSTING	1	1	1	
7	5TJ-82917-00	SWITCH	1	1	1	
8	5TJ-26372-00	COVER, HANDLE LEVER 1	1	1	1	
9	5XD-82946-00	HOLDER, STARTER LEVER	1	1	1	
10	5XD-82913-00	HOLDER, LEVER LOWER 1	1	1	1	
11	5TA-83941-00	LEVER, STARTER	1	1	1	
12	5TA-26334-00	CABLE, STARTER 2	1	1	1	
13	90101-05033	BOLT	2	2	2	
14	92014-05012	BOLT, BUTTON HEAD	2	2	2	
15	95607-05100	NUT, U	1	1	1	
16	90149-05162	SCREW	1	1	1	
17	5TA-26339-00	BOOT	1	1	1	
18	5TJ-83976-00	SWITCH, HANDLE 1	1	1	1	
19	5TJ-83976-10	SWITCH, HANDLE 1	1	1	1	



5TJ5100-C420

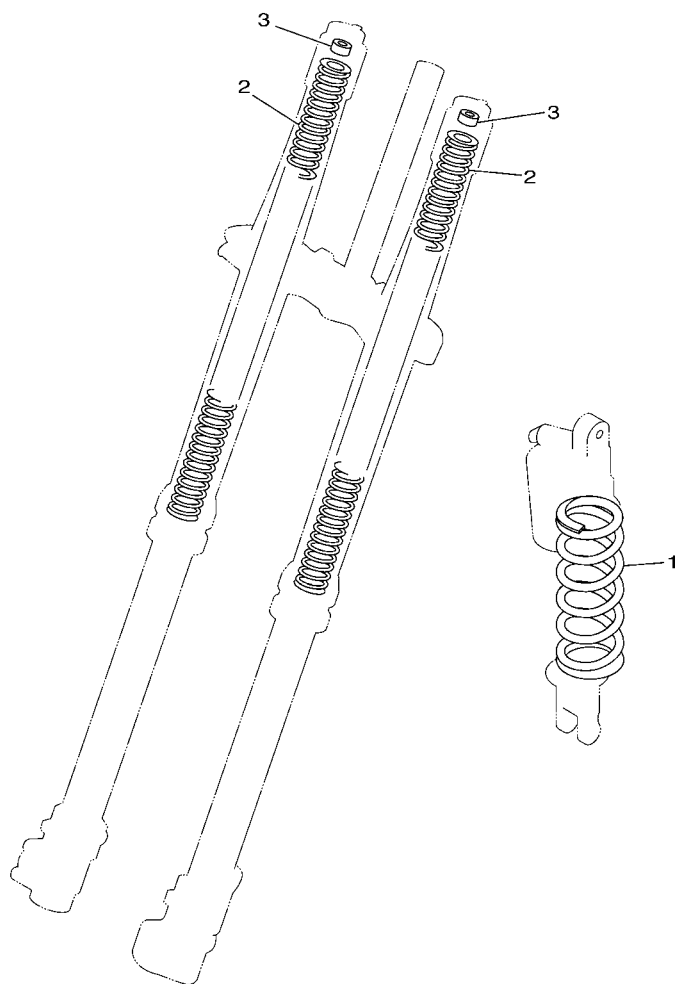


5UM5100-C430

FIG. 43 ELECTRICAL 1

REF. NO.	PART NO.	DESCRIPTION	5UM5	5UM6	5UM7	REMARKS
1	5UM-85540-60	C.D.I. UNIT ASSY			1	
2	5TJ-85546-00	BAND	1	1	1	
3	5UL-82310-10	IGNITION COIL ASSY	1	1	1	
4	5TJ-82540-01	NEUTRAL SWITCH ASSY	1	1	1	
5	93210-21276	O-RING	1	1	1	
6	90154-05026	SCREW, BINDING	2	2	2	
7	90464-13077	CLAMP	4	4	4	
8	90465-13275	CLAMP	6	6	6	
9	90464-13073	CLAMP	5	5	5	
10	90464-15195	CLAMP	1	1	1	
11	90465-13152	CLAMP	4	4	4	
12	5Y9-12491-00	CLAMP 1	3	3	3	
13	90464-23041	CLAMP	1	1	1	
14	5TJ-82590-60	WIRE HARNESS ASSY	1	1	1	
15	5TJ-81980-00	.DIODE ASSY	1	1	1	
16	4WA-81980-00	.DIODE ASSY	1	1	1	
17	5TJ-81960-02	RECTIFIER & REGULATOR ASSY	1	1	1	
18	95027-06020	BOLT, FLANGE	2	2	2	
19	5TJ-2128A-00	BRACKET, REGULATOR	1	1	1	
20	95027-06010	BOLT, FLANGE	2	2	2	
21	90464-29223	CLAMP	1	1	1	
22	5UM-82100-09	BATTERY ASSY (YTX5L-BS)	1	1	1	
23	8CY-82131-00	BAND, BATTERY	1	1	1	
24	5TJ-82115-00	WIRE, PLUS LEAD	1	1	1	
25	5UM-82116-00	WIRE, MINUS LEAD	1	1	1	
26	5TJ-81940-10	STARTER RELAY ASSY	1	1	1	

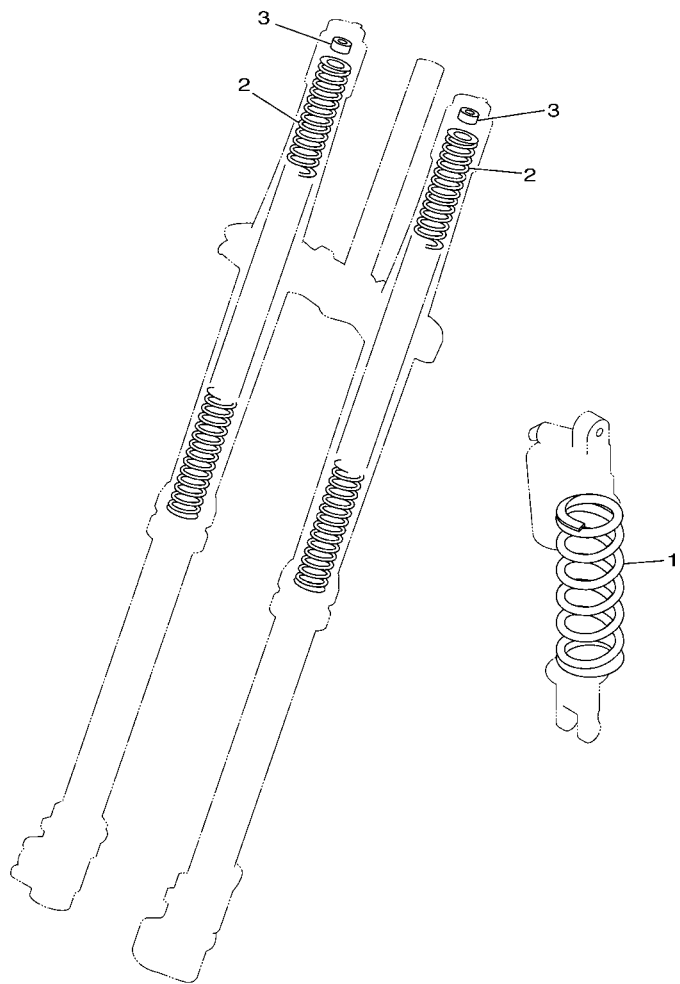
FIG. 44 ALTERNATE FOR CHASSIS



5NL1100-1390

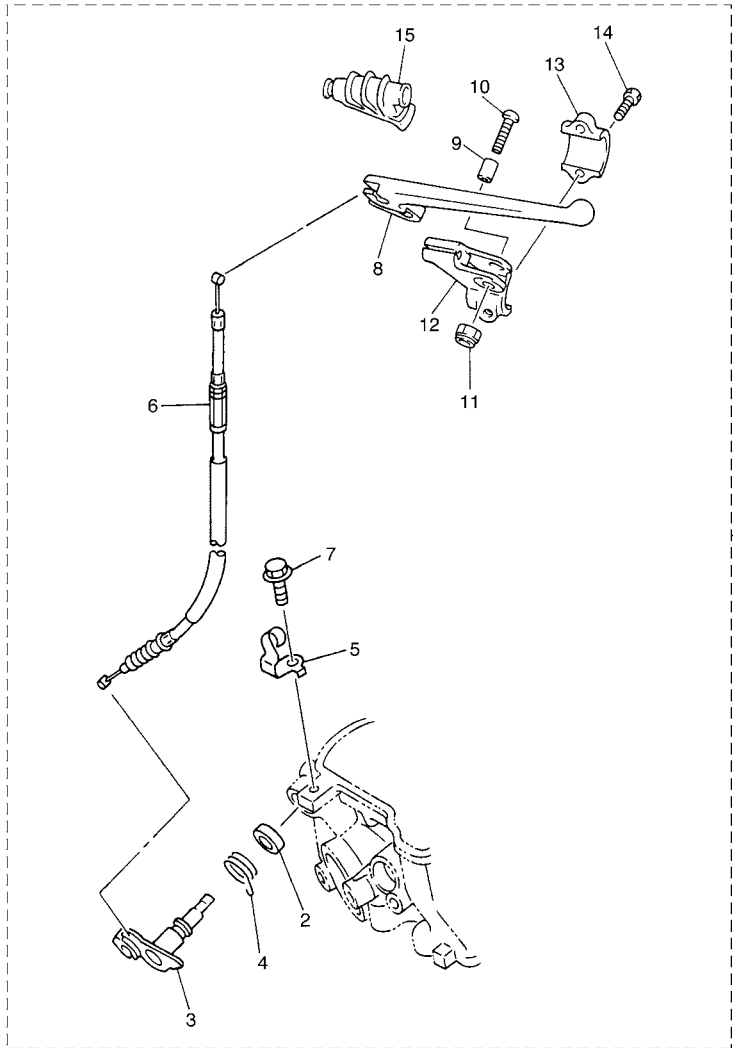
REF. NO.	PART NO.	DESCRIPTION	SUM5	SUM6	SUM7	REMARKS
1	5UN-22212-00	SPRING (K=42N/MM)	1	1	1	AP
	5UN-22212-10	SPRING (K=44N/MM)	1	1	1	AP
	5UN-22212-20	SPRING (K=46N/MM)	1	1	1	AP
	5UN-22212-30	SPRING (K=48N/MM)	1	1	1	AP
	5UN-22212-40	SPRING (K=50N/MM)	1	1	1	AP
	5UN-22212-50	SPRING (K=52N/MM)	1	1	1	AP
	5UN-22212-60	SPRING (K=54N/MM)	1	1	1	AP
	5UN-22212-70	SPRING (K=56N/MM)	1	1	1	AP
	5UN-22212-A0	SPRING (K=APPROX.44N/MM)	1	1	1	AP
	5UN-22212-B0	SPRING (K=APPROX.46N/MM)	1	1	1	AP
	5UN-22212-C0	SPRING (K=APPROX.48N/MM)	1	1	1	AP
	5UN-22212-D0	SPRING (K=APPROX.50N/MM)	1	1	1	AP
5UN-22212-E0	SPRING (K=APPROX.52N/MM)	1	1	1	AP	
5UN-22212-F0	SPRING (K=APPROX.54N/MM)	1	1	1	AP	
5UN-22212-G0	SPRING (K=APPROX.56N/MM)	1	1	1	AP	
2	4SS-23141-10	SPRING (K=3.73N/MM)	2	2	2	AP
	4SS-23141-20	SPRING (K=3.82N/MM)	2	2	2	AP
	4SS-23141-30	SPRING (K=3.92N/MM)	2	2	2	AP
	4SS-23141-40	SPRING (K=4.02N/MM)	2	2	2	AP
	4SS-23141-50	SPRING (K=4.12N/MM)	2	2	2	AP
	4SS-23141-60	SPRING (K=4.22N/MM)	2	2	2	AP
	4SS-23141-70	SPRING (K=4.31N/MM)	2	2	2	AP
	5BE-23141-L0	SPRING (K=4.41N/MM)	2	2	2	AP
	5BE-23141-00	SPRING (K=4.51N/MM)	2	2	2	AP
	5GR-23141-00	SPRING (K=4.61N/MM)	2	2	2	AP
	5ET-23141-20	SPRING (K=APPROX.3.92N/MM)	2	2	2	AP
	5ET-23141-00	SPRING (K=APPROX.4.02N/MM)	2	2	2	AP

FIG. 44 ALTERNATE FOR CHASSIS



5NL1100-1390

REF. NO.	PART NO.	DESCRIPTION	SUM5	SUM6	SUM7	REMARKS
2	5ET-23141-30	SPRING (K=APPROX.4.12N/MM)	2	2	2	AP
	5ET-23141-10	SPRING (K=APPROX.4.22N/MM)	2	2	2	AP
	5ET-23141-40	SPRING (K=APPROX.4.31N/MM)	2	2	2	AP
3	4SS-23364-L0	COLLAR 2	2	2	2	UN AP



5TA1100-B400

FIG. 45 ALTERNATE DECOMPRESSION KIT

REF. NO.	PART NO.	DESCRIPTION	SUM5	SUM6	SUM7	REMARKS
1	5TA-W1228-00	DECOMPRESSION KIT	1			AP
2	93102-12224	.OIL SEAL	1			
3	5BE-12280-10	.DECOMPRESSION ASSY	1			
4	90508-162B2	.SPRING, TORSION	1			
5	5NL-12283-00	.BRACKET, DECOMPRESSION	1			
6	5BE-12292-10	.CABLE, DECOMPRESSION	1			
7	95827-06014	.BOLT, FLANGE	1			
8	583-83981-00	.LEVER, DECOMPRESSION	1			
9	5BE-83913-00	.COLLAR, LEVER 1	1			
10	98507-05020	.SCREW, PAN HEAD	1			
11	95607-05100	.NUT, U	1			
12	5BE-82912-00	.HOLDER, LEVER UPPER 1	1			
13	38V-82913-00	.HOLDER, LEVER LOWER 1	1			
14	97007-05016	.BOLT	2			
15	583-26352-00	.COVER, DECOMPRESSION CABLE	1			

NUMERICAL INDEX

PART NO.	GRID NO.	PART NO.	GRID NO.	PART NO.	GRID NO.	PART NO.	GRID NO.	PART NO.	GRID NO.	PART NO.	GRID NO.
5NL-11102-20	B - 2	1HX-12168-F0	B - 5	5NL-13341-00	B - 10	5TJ-14436-00	B - 12	5JG-14916-ET	B - 15	3TJ-1494F-20	C - 2
4KG-1111G-00	B - 3	1HX-12168-H1	B - 5	5BE-13342-00	B - 10	5TJ-14437-10	B - 12	5JG-14916-JR	B - 14	4JT-1494F-23	C - 2
5NL-11133-10	B - 2	1HX-12168-K1	B - 5	5NL-13411-00	B - 10	5TJ-1443A-00	B - 13	5JG-14922-00	C - 3	4JT-1494F-27	C - 2
5NL-11134-10	B - 2	1HX-12168-M1	B - 5	5NL-13412-00	B - 10	5BF-1443E-00	B - 13	5GS-14933-00	C - 4	4JT-1494F-29	C - 2
5TA-11166-00	B - 2	1HX-12168-R1	B - 5	5TA-13440-00	B - 11	5NY-14442-00	B - 12	3TJ-14933-40	C - 3	4JT-1494F-31	C - 2
5BE-11167-00	B - 2	1HX-12168-U1	B - 5	5BE-13447-10	B - 11	5TJ-14451-00	B - 12	5TA-14934-00	C - 3	5JG-14951-00	B - 14
371-11167-01	B - 2	1HX-12168-W1	B - 5	5XC-13464-00	B - 10	5TA-14453-00	B - 12	5GS-14940-00	C - 4	5GS-14958-00	C - 4
5NL-11181-00	B - 2	1HX-12168-Y1	B - 5	5XC-13465-00	B - 10	5NY-14455-10	B - 12	5JG-14940-16	C - 3	5JG-14959-00	B - 14
5NL-11191-00	B - 2	1HX-12169-11	B - 6	5UL-13597-00	B - 12	5TJ-14457-00	B - 13	5JG-14940-17	C - 3	5JG-14984-00	C - 3
5NL-11193-00	B - 3	1HX-12169-31	B - 6	5UM-14101-50	B - 14	5TJ-14458-00	B - 12	5JG-14940-18	C - 3	4SR-14985-00	C - 2
5XC-11311-00	B - 3	1HX-12169-50	B - 6	5UM-14101-60	B - 14	5TJ-14459-00	B - 12	5JG-14940-76	C - 3	5TA-14987-00	B - 12
5NL-11351-00	B - 3	1HX-12169-70	B - 6	3TJ-14105-40	C - 2	5TJ-14462-00	B - 13	5TA-14943-11	C - 2	5TJ-14987-00	C - 4
5UM-11387-00	B - 3	1HX-12169-90	B - 6	4MX-14115-00	C - 4	5TJ-14475-00	B - 12	5TA-14943-15	C - 2	5TA-14991-00	C - 3
5UM-11400-10	B - 4	1HX-12169-E0	B - 6	3TJ-14137-40	C - 4	5JG-14521-00	B - 15	4MX-14943-39	B - 15	4FN-14997-00	B - 14
5UM-11412-10	B - 4	1HX-12169-G0	B - 6			5JG-14522-00	B - 14	4MX-14943-40	B - 15	5TA-14997-00	C - 3
5UL-11422-00	B - 4	1HX-12169-J0	B - 6	5BE-14146-00	C - 4	5JG-14531-00	C - 4	4MX-14943-41	B - 15	5UM-15150-10	C - 6
5NL-11454-00	B - 4	1HX-12169-L0	B - 6	5PA-14146-00	C - 4	3TJ-14536-40	C - 3	4MX-14943-42	B - 15	5UM-15362-00	D - 4
5NL-11455-00	B - 4	1HX-12169-N0	B - 6	5TA-14155-00	C - 3	5JG-14546-01	B - 14	4MX-14943-43	B - 15	3Y1-15363-00	C - 7
5NL-11531-00	B - 4	1HX-12169-T0	B - 6	633-14159-00	C - 3	676-14548-00	C - 2	4MX-14943-44	B - 15	4JT-15381-01	C - 6
5NL-11536-00	B - 4	5UM-12170-00	B - 7	3TJ-14159-40	B - 15	4MX-14561-00	C - 3	4MX-14943-89	B - 15	5BE-15383-01	C - 6
5NL-11603-00	B - 4	5UM-12180-00	B - 7	5TA-14171-00	C - 3	6H4-14561-00	C - 3	4MX-14943-90	B - 15	5NL-15388-00	C - 6
5NL-11631-10	B - 4	5TA-12210-00	B - 7	3TJ-14191-40	C - 3	5NX-14562-00	C - 3	4MX-14943-91	B - 15	5UM-15411-10	C - 7
5NL-11633-00	B - 4	4FM-12213-00	B - 7	5UL-14196-00	C - 4	5JG-14565-00	C - 4	4MX-14943-92	B - 15	5NL-15415-00	C - 7
5UL-11651-00	B - 4	5BE-12241-00	B - 7	5TA-14197-00	C - 4	5GS-14591-00	C - 4	4MX-14943-93	B - 15	5BE-15421-01	C - 6
5XC-11681-00	B - 4	5NL-12251-00	B - 7	5NX-14216-00	C - 3	5NL-14591-00	C - 4	4MX-14943-94	B - 15	5NL-15431-10	C - 7
5NL-12111-10	B - 5	5NL-12252-00	B - 7	5TA-14227-00	B - 12	688-14592-00	B - 14	4MX-14943-95	B - 15	5NL-15441-01	C - 6
5NL-12112-10	B - 5	5BE-12280-10	F - 10	5TA-14239-00	B - 12	5XG-14611-00	C - 5	5JG-14947-00	B - 15	5UM-15451-00	C - 7
5NL-12113-00	B - 5	5NL-12283-00	F - 10	5TA-14261-00	C - 4	5NL-14613-00	C - 5	4MX-14948-01	B - 15	5NL-15453-00	C - 8
5NL-12114-00	B - 5	5BE-12292-10	F - 10	5JG-14264-00	B - 15	5XC-14628-00	C - 5	4MX-14948-02	B - 15	5NL-15462-00	C - 7
5NL-12116-00	B - 5	5PH-1240A-00	B - 9	3TJ-14267-40	B - 14	5UM-14710-50	C - 5	4MX-14948-03	B - 15	5UM-1549B-00	C - 7
1HX-12117-00	B - 5	5NL-12422-10	B - 8	5JG-14275-00	B - 15	5UM-14710-60	C - 5	4MX-14948-04	B - 15	5UM-15515-10	C - 10
1WG-12117-00	B - 5	5NL-12439-00	B - 8	5TA-14293-00	B - 12	5UM-14710-70	C - 5	4MX-14948-05	B - 15	5UM-15517-00	C - 10
1HX-12118-00	B - 5	5DH-12451-00	B - 8	3TJ-14293-40	C - 3	5PH-14714-00	C - 5	4MX-14948-06	B - 15	5UM-15532-00	C - 10
1WG-12118-00	B - 5	5XC-12459-00	B - 8	5TA-14335-00	C - 3	4BD-14766-00	C - 5	4MX-14948-07	C - 2	5UM-15560-00	C - 10
4SV-12119-00	B - 5	5PH-12461-00	B - 9	5JG-14346-00	C - 4	5BE-14788-00	C - 5	4JT-1494F-03	C - 2	5UM-15570-00	C - 10
4TV-12119-00	B - 5	5HD-12462-00	B - 9	5TA-14371-00	C - 3	5TJ-14916-D1	B - 14	4JT-1494F-07	C - 2	5VY-15586-00	C - 10
5NL-12121-10	B - 5	5NL-12481-00	B - 9	5TA-14374-00	C - 3	5TJ-14916-DP	B - 14	4JT-1494F-11	C - 2	5NL-15601-00	C - 9
3GM-12126-00	B - 5	5Y9-12491-00	F - 6	5JG-14379-00	C - 3	5TJ-14916-DR	B - 14	3TJ-1494F-12	C - 2	5NL-15620-10	C - 9
3FV-12153-09	B - 6	5NL-12564-00	C - 7	5JG-14388-00	B - 14	5TJ-14916-DS	B - 14	3TJ-1494F-13	C - 2	5NX-15621-10	C - 9
3LN-12153-09	B - 6	5SG-12576-00	B - 9	4MX-14392-00	C - 3	5TJ-14916-DT	B - 14	3TJ-1494F-14	C - 2	5NL-15641-00	C - 9
3FV-12153-10	B - 6	5SG-12577-00	B - 9	5TJ-14401-10	B - 12	5TJ-14916-DU	B - 14	3TJ-1494F-15	C - 2	5NL-15651-00	C - 9
3LN-12153-10	B - 6	5SG-12578-00	B - 9	5TJ-1441A-00	B - 13	5TJ-14916-DV	B - 14	4JT-1494F-15	C - 2	5NL-15664-00	C - 9
1HX-12168-00	B - 5	5SG-12579-00	B - 9	5TJ-1441E-10	B - 12	5JG-14916-E1	B - 14	3TJ-1494F-16	C - 2	5SG-15668-00	C - 9
1HX-12168-20	B - 5	583-13113-00	B - 11	5TJ-1441G-00	B - 12	5JG-14916-EM	B - 14	3TJ-1494F-17	C - 2	4GY-15671-00	C - 9
1HX-12168-40	B - 5	5NL-13161-00	B - 11	5TJ-14425-10	B - 12	5JG-14916-EN	B - 14	4JT-1494F-17	C - 2	214-15686-00	C - 9
1HX-12168-60	B - 5	5NL-13171-00	B - 11	5TJ-14426-00	B - 12	5JG-14916-EP	B - 14	3TJ-1494F-18	C - 2	5NL-16111-00	C - 11
1HX-12168-80	B - 5	5SG-13300-00	B - 10	5TA-14428-00	B - 12	5JG-14916-ER	B - 14	3TJ-1494F-19	C - 2	5NL-16150-10	C - 11
1HX-12168-A0	B - 5	5NL-13320-00	B - 10	5TJ-1442A-00	B - 13	5JG-14916-ES	B - 14	4JT-1494F-19	C - 2	5NL-16154-00	C - 11

NUMERICAL INDEX

PART NO.	GRID NO.	PART NO.	GRID NO.	PART NO.	GRID NO.	PART NO.	GRID NO.	PART NO.	GRID NO.	PART NO.	GRID NO.
3XJ-16321-00	C - 11	5UL-21417-00	D - 4	5XE-2217F-00	D - 8	5UM-23103-50	D - 13	5DH-23183-00	D - 9	5TJ-25383-50	E - 7
5DH-16321-00	C - 11	5UL-21417-10	D - 4	5MV-22184-00	D - 9	5UM-23103-60	D - 13	509-23184-L0	D - 9	5NY-25388-00	E - 7
5NL-16325-00	C - 11	5NL-21425-00	D - 3	5UM-22199-00	D - 7	5UM-23103-80	D - 13	5MV-23195-L0	D - 12	5NY-25389-00	E - 7
5NL-16325-10	C - 11	5NL-21425-10	D - 3	5UM-22201-50	D - 9	5BF-23110-L0	D - 13	5TJ-2319U-00	D - 11	3JE-25394-00	E - 6
5HD-16351-00	C - 11	5TJ-21458-50	E - 11	5UM-22201-60	D - 9	5UN-23111-L0	D - 12	5HC-2331E-00	D - 14	4XM-25394-00	E - 6
5NL-16356-00	C - 11	5NL-21471-01	D - 4	5UM-22201-70	D - 9	5DH-23118-L0	D - 12	5UL-23340-L0	D - 14	5SF-25394-00	E - 4
5NL-16357-00	C - 11	5NL-2147A-00	D - 4	5UM-22201-80	D - 9	5DH-23120-L0	D - 12	4SS-23346-L0	D - 14	5NY-25448-00	E - 6
5NL-16371-00	C - 11	5UM-2147A-00	D - 4	5UM-22210-50	D - 9	5TJ-23125-50	D - 12	5NY-23346-L0	D - 14	5GS-25448-50	E - 6
5JG-16381-00	C - 11	5PH-21481-00	D - 4	5UM-22210-60	D - 9	5TJ-23125-L0	D - 12	3SP-23356-L0	D - 14	5NY-25449-00	E - 6
5NL-16383-10	C - 11	5HD-21511-00	D - 5	5UM-22210-70	D - 9	3JD-2312G-L0	D - 13	4SS-23364-L0	F - 9	5NY-25450-00	E - 6
4JT-16384-00	C - 11	5UN-2153A-00	D - 8	5UM-22210-80	D - 9	5TJ-23136-50	D - 12	4DA-23389-00	D - 11	5GS-25450-50	E - 6
5NL-16384-00	C - 11	4XL-2153A-10	D - 14	5UN-22212-00	F - 8	5TJ-23136-L0	D - 12	4GY-23389-00	D - 11	5NY-25451-00	E - 6
5NL-17121-00	C - 13	4ES-2153E-01	D - 5	5UN-22212-10	F - 8	5BE-23141-00	F - 8	5HD-23393-L0	D - 12	5NY-25452-00	E - 6
5PH-17131-10	C - 13	5TJ-21610-50	D - 5	5UN-22212-20	D - 9	5ET-23141-00	F - 8	5BF-2339E-00	F - 3	5GS-25452-50	E - 6
5PH-17141-10	C - 13	5XD-21635-00	D - 5			5GR-23141-00	F - 8	4EW-23416-00	D - 11	5PH-25454-50	E - 7
5PH-17151-00	C - 13	5UM-2163G-50	D - 5	5UN-22212-30	F - 8	5NL-23141-00	D - 12	5PH-23435-10	D - 11	5CG-25715-00	E - 10
5PH-17211-00	C - 13	5TA-21642-00	D - 5	5UN-22212-40	D - 9	4SS-23141-10	F - 8	5XE-23441-00	D - 11		
5NL-17221-00	C - 13	5TJ-21677-00	F - 4			5ET-23141-10	F - 9	5TJ-24110-50	D - 15	5DH-25718-01	E - 8
5PH-17231-10	C - 13	5TJ-21711-00	D - 6	5UN-22212-50	F - 8	4SS-23141-20	F - 8	4EW-2412F-00	D - 15	5UN-2580T-00	E - 5
5PH-17241-10	C - 13	5TJ-21721-00	D - 6	5UN-22212-60	F - 8	5ET-23141-20	F - 8	5XE-24144-00	D - 15	5UN-2580W-10	E - 8
5PH-17251-10	C - 13	5PH-2172A-10	D - 6	5UN-22212-70	F - 8	4SS-23141-30	F - 8	5SF-24173-00	D - 15	5MV-2581T-00	E - 5
5NL-17402-00	C - 13	5TJ-21730-00	D - 6	5UN-22212-A0	F - 8	5ET-23141-30	F - 9	5XE-24176-00	D - 15	5UN-25827-60	E - 8
5PH-17411-10	C - 13	5TJ-2173E-10	D - 6	5UN-22212-B0	F - 8	4SS-23141-40	F - 8	22W-24181-00	C - 5	5UN-25828-60	E - 8
5NL-17466-00	C - 6	5TJ-2173F-10	D - 6	5UN-22212-C0	F - 8	5ET-23141-40	F - 9	5TJ-24181-00	D - 15	5NY-2582W-00	E - 8
5NL-17471-00	C - 14	5TJ-21740-00	D - 6	5UN-22212-D0	F - 8	4SS-23141-50	F - 8	5BE-24182-00	D - 15	5MV-25833-00	E - 10
5UL-18101-00	D - 2	3JD-21748-00	D - 5	5UN-22212-E0	F - 8	4SS-23141-60	F - 8	5NY-24183-00	D - 15	5UN-2583V-00	E - 13
5UL-18110-00	D - 2	5TJ-2174A-00	D - 6	5UN-22212-F0	F - 8	4SS-23141-70	F - 8	5NY-24186-00	D - 15	5DH-25849-00	E - 5
5LP-18122-00	D - 2	5TJ-2174T-00	D - 5	5UN-22212-G0	F - 8	4SR-23141-L0	D - 12	5TJ-24240-10	E - 2	5MV-25852-01	E - 10
3XK-18140-00	C - 15	5TA-21756-00	D - 3	3SP-22213-00	D - 9	4XL-23141-L0	D - 12	3XJ-24380-00	D - 15	5UN-25852-50	E - 13
5BE-18172-00	D - 2	2TK-21757-00	B - 13	5XE-22214-00	D - 9	5BE-23141-L0	F - 8	2GU-24500-01	D - 15	5XE-25853-00	E - 10
3XJ-18173-00	D - 2	5TJ-21757-00	B - 13	5MV-22224-00	D - 9	5DH-23142-L0	D - 12	4X8-24512-00	D - 15	5UN-25854-00	E - 13
3XJ-18178-00	D - 2	5MV-2175C-00	D - 6	4JX-22226-00	D - 9	5HD-23144-L0	D - 12	3AJ-24523-00	D - 15	5XE-25854-00	E - 10
3XJ-18182-00	D - 2	4XV-2177L-00	B - 12	3SP-22234-00	D - 9	5UN-23145-L0	D - 12	3AJ-24534-00	D - 15	5UN-2585B-00	E - 13
3XJ-18184-00	D - 2	5XD-21781-00	D - 6	5NY-22241-00	D - 10	5UN-23146-L0	D - 12	5NY-24610-00	D - 15	5MV-25867-00	E - 10
4EW-18185-00	D - 2	5GS-21871-00	D - 6	5XE-22242-00	D - 10	5DH-23149-L0	D - 12	5TJ-2470F-50	E - 3	5NY-25868-00	E - 10
5NL-18501-00	C - 15	26H-21874-00	D - 6	5DH-22253-00	D - 9	5DH-2314E-00	E - 5	5TJ-24710-50	E - 3	5TJ-25872-00	E - 10
5NL-18502-00	C - 15	26H-21875-00	D - 6	5MV-22253-00	D - 9	5XE-2314F-L0	D - 14	5NY-25104-00	E - 4	5UN-25873-00	E - 13
5NL-18503-00	C - 15	5UN-22110-00	D - 7	4AA-22259-40	D - 9	5XE-2314G-L0	D - 14	5NG-25111-50	E - 4	5DH-25875-00	E - 5
5NL-18541-00	C - 15	5NY-22121-00	D - 7	4AA-22259-60	D - 9	5TA-2314H-00	D - 14	5NY-25117-00	E - 4	2VM-25876-00	E - 13
4BA-18542-00	C - 15	5XE-22122-00	D - 8	4AA-22259-80	D - 9	5TJ-2314J-00	D - 14	5BE-25181-00	E - 4	5MV-2589F-00	E - 10
5DH-18562-00	C - 6	5UM-22128-00	D - 7	5UN-22355-00	D - 7	4SS-23153-L0	D - 12	5NY-25183-00	E - 4	5UN-25914-00	E - 8
5UM-21101-50	D - 3	5NY-22141-01	D - 7	4EW-22474-00	D - 9	4SS-23158-L0	D - 12	5NG-25190-50	E - 4	5DH-25914-50	E - 8
5TJ-21190-50	D - 3	5UN-22151-00	D - 7	3JE-22475-00	D - 9	5UM-2316A-50	D - 12	5GS-25304-00	E - 6	3SP-25914-51	E - 5
5TJ-2128A-00	F - 6	5JG-22156-00	D - 7	5NY-22475-00	D - 9	5UM-2316A-60	D - 12	5ET-25311-00	E - 6	5DH-25916-00	E - 5
5TJ-21338-00	D - 4	5UN-22176-00	D - 9	5UN-22898-60	E - 8	5TJ-23170-50	D - 12	5ET-25317-00	E - 6		
5NG-21338-01	D - 4	4EW-22178-01	D - 3	5UM-23102-50	D - 12	5TJ-23170-60	D - 12	4XM-25364-00	E - 6	3JD-25917-00	E - 5
5HD-2135F-00	D - 8	3JD-22178-10	D - 3	5UM-23102-60	D - 12	5ET-23171-L0	D - 12	5ET-25367-00	E - 7		
5XE-2135F-00	D - 8	5NY-2217A-00	D - 7	5UM-23102-80	D - 12	5BF-2317M-00	F - 2	5ET-25381-00	E - 7	5DH-25919-00	E - 5

NUMERICAL INDEX

PART NO.	GRID NO.	PART NO.	GRID NO.	PART NO.	GRID NO.	PART NO.	GRID NO.	PART NO.	GRID NO.	PART NO.	GRID NO.
5DH-25919-50	E - 8	8DM-81950-00	F - 7	55U-84337-00	F - 3	90110-06058	B - 10	90201-08089	E - 11	90387-06M24	E - 12
8CR-25924-00	E - 8	5TJ-81952-00	F - 7	5BF-8433E-00	F - 3	90110-08096	D - 3	90201-080H1	C - 11	90387-086N4	D - 3
3SP-25926-51	E - 5	5TJ-81953-00	B - 13	5BF-84397-00	F - 3	90111-06029	E - 13	90201-08326	C - 9	90387-10019	E - 11
5DH-25933-00	E - 5	5TJ-81960-02	F - 6	5TJ-84710-00	F - 4	90116-06541	B - 2		E - 7	90387-1003G	E - 11
1UY-25937-51	E - 5	4WA-81980-00	F - 6	36Y-84714-40	F - 4	90119-05071	D - 11	90201-08410	C - 3	90387-124F4	D - 2
	E - 8	5TJ-81980-00	F - 6	4GY-84723-00	F - 4	90119-06001	D - 4	90201-08512	B - 8	90387-16005	D - 7
4XM-26111-00	E - 9	5UM-82100-09	F - 6	4GY-84733-00	F - 4	90119-06051	D - 6	90201-086P8	C - 5	90387-16007	D - 7
5BE-26240-00	E - 9	5TJ-82115-00	F - 6	5UM-85540-50	F - 6	90119-06096	D - 5		D - 3	90387-167Y9	D - 7
4GY-26241-00	E - 9	5UM-82116-00	F - 6	5UM-85540-60	F - 6	90119-06192	D - 5	90201-096J9	B - 2	90387-18004	D - 7
4GY-26242-00	E - 9	5SL-82119-10	F - 7	5TJ-85546-00	F - 6	90119-06225	D - 5	90201-10118	E - 10	90387-18005	D - 7
3Y1-26249-00	E - 9	8CY-82131-00	F - 6	5TA-85885-00	C - 3	90119-08238	D - 6		E - 13	90387-18007	C - 6
5BE-26281-00	E - 9	42X-82151-00	F - 7	5NY-W0041-00	E - 10	90149-05162	F - 5	90201-10119	E - 11	90387-20006	C - 13
5BE-26282-00	E - 9	5UL-82310-10	F - 6	5UN-W0042-50	E - 13	90149-06011	D - 15	90201-104R2	C - 10	90387-22001	C - 13
5SF-26287-00	E - 9	5TJ-82510-00	F - 7	5MV-W0045-01	E - 5	90149-06126	C - 6	90201-12020	E - 14	90401-08038	B - 11
5XD-26302-00	E - 9	5TJ-82514-00	F - 7	5UN-W0046-51	E - 8	90149-06250	B - 4	90201-12166	B - 10	90401-10159	B - 11
5TA-26334-00	F - 5	5TJ-82540-01	F - 6	3JD-W0047-00	E - 5	90149-06326	C - 6	90201-145M4	D - 3	90401-10172	E - 10
5UM-26335-00	E - 9	5TJ-82590-60	F - 6	5UN-W0047-50	E - 8	90149-06327	E - 5	90201-14740	D - 8		E - 13
5TA-26337-00	F - 5	5TJ-82911-50	F - 5	1UY-W0048-50	E - 5	90151-04001	D - 7	90201-15701	C - 7	90430-06014	B - 2
5TA-26339-00	F - 5	5BE-82912-00	F - 10		E - 8	90152-06010	C - 9	90201-160F6	D - 7		B - 7
5HD-26342-00	E - 9	38V-82913-00	F - 10	5UN-W0057-00	E - 5	90154-05026	F - 6	90201-162H4	C - 9		B - 8
583-26352-00	F - 10	5XD-82913-00	F - 5	5UN-W0057-50	E - 8	90157-02031	F - 2	90201-167P7	C - 9	90430-08119	B - 11
5NY-26372-00	E - 10	5TJ-82917-00	F - 5	5TA-W1228-00	F - 10	90159-06078	D - 6	90201-177G4	C - 9		D - 3
5TJ-26372-00	F - 5	5XD-82946-00	F - 5	5XE-W2587-00	E - 10	90159-06092	C - 11	90201-203L1	C - 10	90430-10188	B - 11
4XM-27200-00	E - 11	5TJ-8350E-00	F - 2	90101-05033	F - 5	90159-06182	D - 6	90201-203U1	E - 7		C - 6
5JG-27217-00	E - 11	4V5-83513-00	F - 2	90101-06001	C - 9	90159-06189	F - 3	90201-20685	C - 9	90445-09100	D - 15
5UN-27217-00	E - 13	5NG-83519-00	F - 2	90101-06664	D - 2	90170-14171	B - 4	90201-247L2	D - 11	90445-09220	D - 15
5UN-27218-00	E - 13	437-83525-00	F - 2	90101-08777	E - 7	90170-16326	C - 11	90201-286K9	D - 11	90445-11185	D - 15
5UN-27222-00	E - 13	1M1-83526-00	F - 2	90105-05361	D - 11	90170-24373	D - 11	90202-05193	D - 15	90445-112K0	B - 2
5TJ-27311-50	E - 11	5BF-83550-00	F - 2	90105-06027	B - 2	90179-06568	D - 7	90202-08045	B - 14	90450-22017	B - 9
5TJ-27314-50	E - 11	5TJ-8355W-00	F - 2	90105-06553	C - 6	90179-08299	E - 7	90206-06090	C - 5		B - 10
5ET-27411-00	E - 11	5TJ-8355W-10	F - 2		C - 14	90179-08674	D - 3	90209-20008	C - 13	90450-25037	B - 9
1HX-27415-00	F - 4	1AE-83578-00	F - 2	90105-065A1	C - 8	90179-10658	D - 3	90209-23012	C - 13	90450-32015	B - 9
5ET-27421-00	E - 11	2HR-83592-00	F - 2	90105-08057	C - 5	90179-12657	E - 14	90215-14204	B - 4	90450-54002	B - 12
5TA-27491-00	E - 8	5TJ-83912-00	F - 5	90105-08120	D - 3	90179-16672	E - 4	90215-16289	C - 11	90450-57092	B - 12
5TA-2814F-00	D - 4	5BE-83913-00	F - 10	90105-08659	E - 5	90179-18001	C - 11	90215-20003	C - 11	90450-61001	B - 12
5ET-28166-00	D - 4	5MV-83922-00	E - 10	90105-09002	B - 2		C - 14		C - 14	90461-11099	F - 4
5TJ-2831V-00	D - 11	5TA-83941-00	F - 5	90105-09555	B - 2	90179-28650	D - 11	90240-08120	E - 11	90464-13073	F - 6
3FV-28386-00	B - 13	5HD-83951-00	F - 5	90105-10072	D - 3	90183-06023	B - 13	90240-10142	E - 11	90464-13077	F - 6
5UM-81410-00	E - 14	5TJ-83976-00	F - 5	90105-10733	D - 3	90185-08055	E - 11	90267-32146	B - 12	90464-15195	F - 6
5UM-81450-00	E - 14	5TJ-83976-10	F - 5	90109-06034	F - 5	90185-08169	E - 7	90280-03006	B - 4	90464-23041	F - 6
5UM-81528-00	C - 8	583-83981-00	F - 10	90109-063F8	C - 15	90185-10060	D - 10	90338-18064	B - 7	90464-29223	F - 6
5UM-81801-00	E - 15	5LP-84126-10	F - 5	90109-06418	B - 7	90185-14007	D - 8	90338-18176	D - 3	90464-50255	F - 7
5JJ-81828-00	E - 15	5BF-84310-01	F - 3	90109-065G2	B - 11	90185-16127	D - 7	90340-12112	B - 2	90465-10013	C - 6
5UM-81828-00	E - 15	8G9-84314-00	F - 3	90109-065G4	E - 8	90185-20168	E - 7	90340-14128	C - 7	90465-13152	D - 15
5UM-8183G-00	E - 15	5PH-84319-50	F - 2	90109-066F0	B - 3	90201-05033	F - 2	90340-27002	C - 7		F - 6
5UM-81861-00	E - 15	5BF-84330-01	F - 3	90109-08051	E - 11	90201-06057	F - 4	90387-06009	D - 5	90465-13275	F - 6
5UM-81890-00	E - 15	5BF-84334-00	F - 3	90109-081G1	E - 7	90201-06557	D - 5	90387-06065	B - 9	90465-16258	E - 10
5TJ-81940-10	F - 6	5BF-84335-00	F - 3	90109-082G0	C - 9	90201-06571	B - 9	90387-065L5	F - 4	90467-09006	D - 6

NUMERICAL INDEX

PART NO.	GRID NO.	PART NO.	GRID NO.	PART NO.	GRID NO.	PART NO.	GRID NO.	PART NO.	GRID NO.	PART NO.	GRID NO.
90467-10008	D - 15	92017-05008	F - 2	93306-27208	C - 13	95027-06010	B - 2	95804-06010	C - 5		
90467-11106	B - 2	92017-08055	D - 3	93306-90403	E - 4		C - 12	95804-06016	C - 5		
90467-14015	B - 2	92907-06600	B - 7	93306-90501	C - 15		D - 7	95807-06016	E - 12		
90467-17089	B - 13	92907-08200	E - 5	93310-42057	C - 10		F - 2	95817-08016	D - 4		
90468-16191	E - 11	92990-08200	E - 11	93310-63238	B - 4		F - 6	95817-08020	C - 5		
90480-01512	D - 5	92990-10200	E - 11	93311-32261	B - 4	95027-06012	B - 8	95817-10050	D - 3		
90480-14102	F - 4	93101-14164	C - 7	93315-32053	D - 8		B - 11	95827-06010	B - 9		
90480-14532	D - 5	93102-12106	B - 8	93315-32056	D - 7		D - 4		F - 3		
90480-15528	B - 9	93102-12224	C - 11	93317-11287	C - 11		E - 8	95827-06012	E - 5		
90480-18549	D - 15		D - 2	93317-22262	D - 7	95027-06016	C - 7	95827-06014	F - 10		
90501-043E0	B - 11		F - 10	93332-00068	D - 11		D - 15	95827-06016	B - 13		
90501-052G5	D - 2	93102-18278	C - 9	93332-00081	D - 11		E - 8		D - 6		
90501-06022	C - 15	93102-26468	E - 4	93340-21008	C - 11	95027-06020	B - 13	95827-08012	D - 3		
90501-147A5	C - 9	93102-28010	C - 13	93342-22217	D - 7		D - 2	97007-05016	F - 10		
90501-16016	C - 9	93106-22019	D - 7	93410-20038	C - 9		F - 6	97027-06016	B - 7		
90501-220A0	C - 11	93106-30001	E - 6	93410-22039	C - 13	95027-06025	B - 7	97706-40530	F - 4		
90506-16500	E - 11	93106-30045	E - 6	93410-26067	C - 13		B - 8	97707-30512	B - 13		
90506-30002	E - 11	93109-11073	B - 8	93420-16086	B - 4		B - 9	97707-40016	B - 12		
90508-142B5	C - 12	93109-20076	D - 7	93440-07149	B - 2		B - 10	97707-50516	B - 13		
90508-162B2	F - 10	93109-28043	D - 7	93440-07182	B - 8		B - 11	97707-60016	D - 5		
90508-26561	C - 15	93210-07003	B - 11		C - 11	95027-06030	C - 7	97780-40010	F - 4		
90508-282B8	E - 11	93210-07135	B - 11	93440-10153	B - 2	95027-06035	C - 7	97801-03008	D - 15		
90508-282B9	E - 11	93210-08001	D - 4		B - 10		B - 3	98502-04012	B - 14		
90508-291A8	D - 2	93210-09008	B - 11	93440-41178	B - 7		C - 7	98507-05010	E - 13		
90508-30743	C - 9	93210-10197	B - 10	93503-08007	B - 11	95027-06040	C - 7	98507-05020	E - 9		
91314-06030	B - 10		C - 6	93507-32009	C - 9	95027-06050	D - 7		F - 10		
91316-04012	B - 14	93210-11073	E - 11	93511-32027	C - 11	95027-06065	B - 8	98507-06025	C - 6		
91317-05008	D - 7	93210-12759	B - 11	93603-16219	B - 10		B - 11	98706-04012	E - 10		
91317-05012	C - 8	93210-14369	C - 7	93604-10011	B - 8	95027-08012	F - 2	98707-06025	D - 15		
91317-05020	E - 14	93210-15414	B - 9	93608-33002	D - 2	95027-08016	D - 4	98907-06025	D - 15		
91317-06012	B - 9	93210-16716	C - 7	93612-16254	B - 3	95027-08020	E - 5	98980-06008	C - 5		
91317-06014	E - 10	93210-17570	C - 9		C - 6	95027-08035	D - 11	99001-08600	B - 10		
	E - 14	93210-19123	C - 7	9383B-13218	C - 13	95027-08040	D - 3	99009-12400	B - 10		
91317-06025	C - 10	93210-196A4	C - 13	9383B-14222	C - 13		D - 11	99009-16400	C - 9		
	E - 15	93210-21276	F - 6	94108-21015	E - 4		D - 14	99009-17400	C - 9		
91317-06045	C - 6	93210-25711	E - 15	94110-18008	E - 6	95027-08065	D - 3	99009-22500	C - 7		
91317-06055	C - 6	93210-27370	C - 7	94211-18176	E - 6	95027-10016	C - 6	99009-45500	E - 6		
91317-06070	C - 6	93210-47675	B - 11	94227-21101	E - 4	95027-10020	E - 11	99530-08012	B - 10		
91317-06100	C - 6	93210-60426	C - 7	94309-18146	E - 6	95027-10030	E - 11		C - 10		
91317-06110	C - 7	93300-60804	D - 3	94309-21161	E - 4	95607-05100	F - 5	99530-08016	C - 7		
91317-08020	C - 5	93306-00105	B - 8	94416-21005	E - 4		F - 10	99530-10114	B - 10		
91401-20012	E - 11	93306-00317	C - 13	94418-18006	E - 6	95607-10200	D - 10		C - 6		
91401-25015	E - 11	93306-00320	C - 13	94421-18005	E - 6	95617-08620	B - 2	99530-10116	C - 6		
91808-16023	B - 2	93306-07202	E - 6	94591-53114	B - 7	95701-06500	E - 10	9Y58A-76113	E - 7		
91812-16001	C - 7	93306-20335	B - 4	94681-76021	E - 7	95704-06500	B - 3				
91A11-05125	D - 6	93306-20447	C - 13	94701-00410	B - 2	95707-06500	F - 4				
91A20-05140	D - 6	93306-20648	B - 4	94701-00411	B - 2	95707-08500	B - 2				
92014-05012	F - 5	93306-27205	E - 6	95027-06008	F - 7		D - 3				